



**FT20AGL  
ESSENCE RECEPTACLE**  
20-gallon bonded aggregate  
panel receptacle with ashtray  
top and plastic liner

**Replacement Parts**

Hold Down Kit **PANELHLD**  
Black Plastic Liner **R-FT20PLR**

**Accessories**

Black Beauty Sand Replacement:  
5 lb bag **SAND5**  
10 lb bag **SAND10**  
25 lb bag **SAND25**  
50 lb bag **SAND50**

Ash Sifter 5" diameter **SIFTER**

**Material**

The 20-gallon receptacle is composed of .5" thick aggregate and epoxy bonded to a hardboard substrate and supported by a non-rusting aluminum frame. The receptacle features two side openings for easy trash disposal and includes rubber feet and a flat aluminum, 13" square by 1.5" deep, ashtray top. The ashtray top lifts off for easy trash removal. The receptacle comes with a supply of black beauty sand substitute.

The reusable plastic liner is made of black high-density polyethylene.

The receptacle is designed to be portable, allowing for flexibility in placement.

**Finish**

The aggregate is cast in a durable epoxy resin that remains clear and bright throughout its life.

**Color**

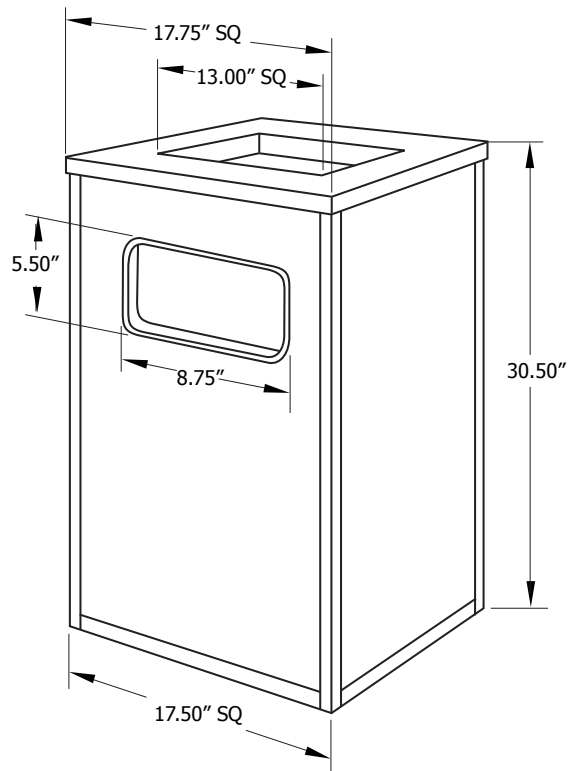
See website or sales representative for color choices.

**Assembly**

The receptacle arrives fully assembled for immediate use on site.

**Maintenance**

Maintenance-free. To clean, spray with a power washer.



**Shipping Information**

Unit Wt.	Unit Shipping Wt. UPS	Unit Shipping Wt. Truck (1+ Units)	Unit Ship Size w/Pallet	Max Units per Pallet	Pallet Wt.	Total No. Pkgs	Shipping Class
95 lbs	N/A	108 lbs/unit	10 cu. ft.	N/A	N/A	1	125