



F3200 COURTYARD RECEPTACLE

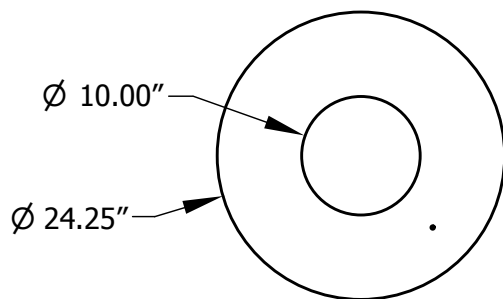
23-gallon expanded steel receptacle
with ash tray top and liner

Replacement Parts

Black Plastic Liner **R-DOM3200**

Accessories

Trad. In ground Mount **F1094**
Trad. Surface Mount **F1098**
Corkscrew Anchor **A1020**



Material

The 23-gallon receptacle body is made of 3/4 #9 expanded steel with a diamond pattern. The receptacle is protected by Fusion Advantage™, a plastisol coating with an average .125" thickness and a high-gloss powder coat.

The top is composed of 18-gauge galvanized spun steel and is protected with a high-gloss powder coat finish. The top features a 10" diameter ashtray. A generous supply of Black Beauty sand substitute and a 14" web security strap is included.

The receptacle features an 11.79" x 6.25" side opening for easy trash disposal. The receptacle is designed to be portable for flexibility in placement. A reusable plastic liner is included.

Options and Accessories

Replacement liners and mounting kits for various applications are available.

Finish

Fusion Advantage is a heat fused plastisol coating that creates an impervious rustproof barrier and resists UV deterioration, mildew, staining and fading.

The finish has been tested to the requirements of ASTM E1354 and is determined to be in compliance with California Uniform Fire Code 1103.2.1.4.2.

Color

See website or sales representative for color choices.

Assembly

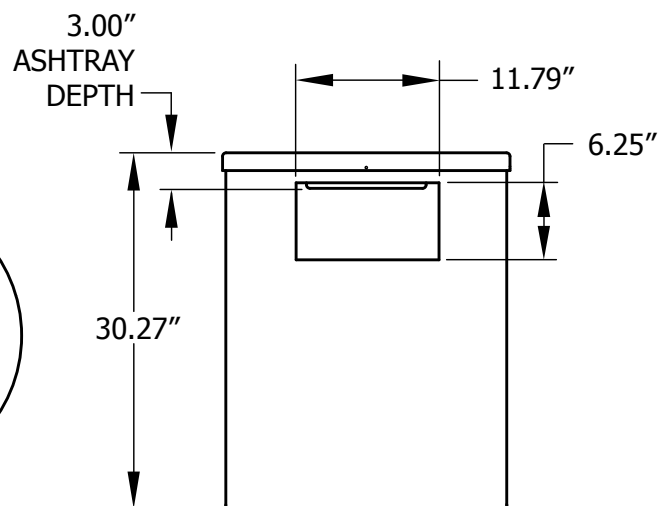
Attachment of the top to the receptacle body requires minor assembly, if purchased. Mounting options require some assembly also, if purchased.

Maintenance

The product is virtually maintenance-free and requires only periodic cleaning with a sponge and a solution of mild detergent and water to remove surface dirt. Do not clean with solvent or petroleum based products.

Warranty

20-year limited structural warranty with 7-year finish warranty from the date of purchase. See full details on multi-year warranties for components at www.anovafurnishings.com/warranty.aspx.



Shipping Information

Unit Wt.	Unit Shipping Wt. UPS (1-2 Units)	Unit Shipping Wt. Truck (3+ Units)	Unit Ship Size w/Pallet	Max Units per Pallet	Pallet Wt. (48" x 32")	Total No. Pkgs	Shipping Class
71 lbs	100 lbs/unit	77 lbs/unit	32 cu. ft.	8	50 lbs	1	100