

F3130 10' Expanded Metal Flat Bench

Traditional Style Edge, Surface Mount

specification sheet

Description

10' plastisol coated, expanded metal flat bench with surface mount legs.

Warranty

Seven-year warranty from shipping date.

Maintenance

Product is virtually maintenance-free and requires only periodic cleaning with a sponge and a solution of mild detergent and water to remove surface dirt. Do not clean with solvent or petroleum base products.

Options

Bench seat available in high-gloss patented TopCoat: Red, Burgundy, Black, Brown, Grey, Evergreen, Teal, Camel, Blue, White, Vanilla, Purple, Yellow, Bronze, Navy, Orange and Silver. Legs available in same colors in a rust-resistant powder coat finish.

Included Items

Includes stainless steel assembly hardware.

Typical Specification

Bench shall be 120.19" in length overall. Seat shall be 3/4 #9 expanded steel with a diamond shape pattern and feature a traditional style rounded edge. Seat shall be plastisol coated with an average thickness of 93 mils and finished with high-gloss patented TopCoat.

Legs shall be 2.38" OD steel tubing protected with FusionGuard rust protection and shall be finished with high-gloss powder coat. Legs shall have plates with predrilled holes for surface mounting to prevent movement (mounting hardware not included).

Technical Data

TopCoat® -- patented high-gloss finish resists UV deterioration, mildew, staining and fading.

TopCoat® -- tested to the requirements of ASTM E 1354 and determined to be in compliance with California Uniform Fire Code 1103.2.1.4.2.

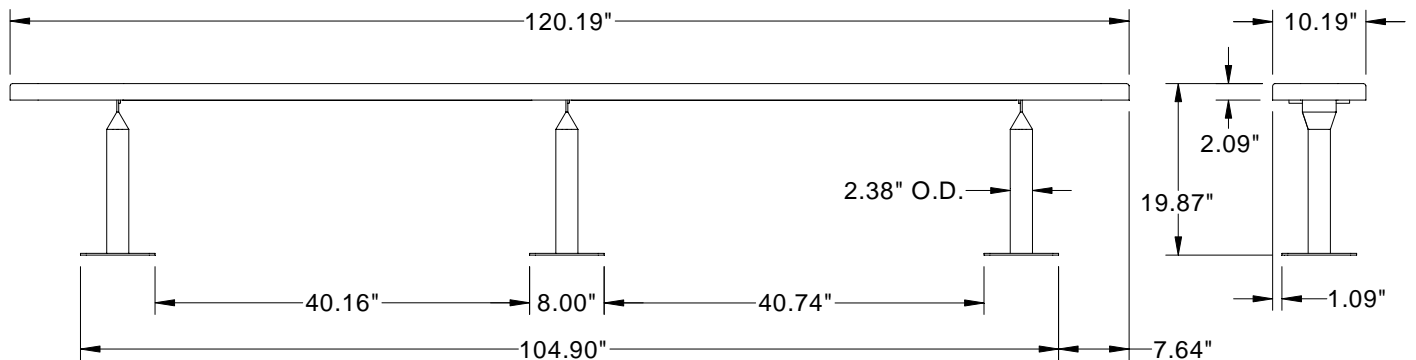
FusionGuard® -- process that ensures all components of under supports are coated with a zinc-rich primer. Under supports treated with FusionGuard resist rust four times longer than conventional powder coat finishes in independent testing.

Assembly

Bench requires minor assembly.

Availability

Ships in 10 business days on quantities of 6 or less.



Model	Overall Length	Mount Style	Height	Unit Weight	Shipping Weight	Cubic Feet	Total Packages	Shipping Class
F3130	120.19"	Surface Mount	19.87"	83 lbs.	195 lbs.	38	3	70

Measurements are nominal.
Created 2/28/08



SiteFurnishings.Indoff.com
(844)433-9610