



## F3040

### VICTORY FLAT BENCH

8' expanded steel flat bench,  
traditional edge, in ground mount

#### Material

The bench is 96.25" long and made of 3/4 #9 expanded steel with a diamond shape pattern and features a traditional edge. The bench seat is protected by Fusion Advantage™, a plastisol coating with an average .125" thickness and a high-gloss powder coat. The bench seat will support 200 lbs per linear foot.

The legs are made of 2.38" O.D. steel tubing protected by a fade resistant powder coat finish featuring a state of the art primer proven to prevent rusting. They are designed to be mounted 19.75" deep for a sturdy support.

#### Finish

Fusion Advantage is a heat fused plastisol coating that creates an impervious rustproof barrier and resists UV deterioration, mildew, staining and fading.

The finish has been tested to the requirements of ASTM E1354 and is determined to be in compliance with California Uniform Fire Code 1103.2.1.4.2.

A state of the art primer is applied to all of the under supports, providing extreme rust fighting protection and durability. Treated components exceed the industry standard by 34% in testing by independent sources.

#### Color

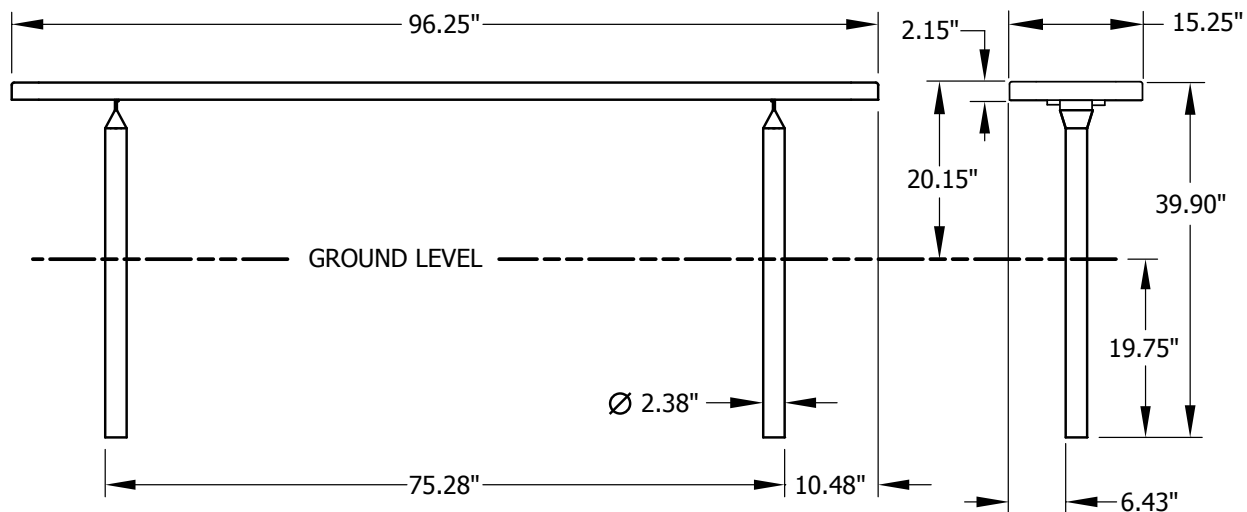
See website or sales representative for color choices.

#### Assembly

The bench requires some assembly. The in ground mounting requires site preparation and construction of a temporary support.

#### Maintenance

The product is virtually maintenance-free and requires only periodic cleaning with a sponge and a solution of mild detergent and water to remove surface dirt. Do not clean with solvent or petroleum based products.



#### Shipping Information

Unit Wt.	Unit Shipping Wt. UPS	Unit Shipping Wt. Truck (1+ units)	Unit Ship Size w/Pallet	Max Units per Pallet	Pallet Wt. (98" x 32")	Total No. Pkgs	Shipping Class
76 lbs	N/A	85 lbs/unit	23 cu. ft.	10	100 lbs	2	70