



F3025 TRI3025 VICTORY FLAT BENCH

8' expanded steel, traditional edge,
flat bench, portable mount

Material

The bench is 96.25" long and made 3/4 #9 expanded steel with a diamond shape pattern and feature a traditional edge. The seat is protected by Fusion Advantage™, a plastisol coating with an average .125" thickness and a high-gloss powder coat.

The supports and legs are made of 2.38" O.D. steel tubing protected by a fade resistant powder coat finish featuring a state of the art primer proven to prevent rusting. The seat is designed to support 200 lbs per linear foot when properly installed. The supports feature an 8" square steel plate with predrilled holes for surface mounting. Mounting hardware is not included.

Finish

Fusion Advantage is a heat fused plastisol coating that creates an impervious rustproof barrier and resists UV deterioration, mildew, staining and fading.

The finish has been tested to the requirements of ASTM E1354 and is determined to be in compliance with California Uniform Fire Code 1103.2.1.4.2.

A state of the art primer is applied to all of the under supports, providing extreme rust fighting protection and durability. Treated components exceed the industry standard by 34% in testing by independent sources.

Color

See website or sales representative for color choices

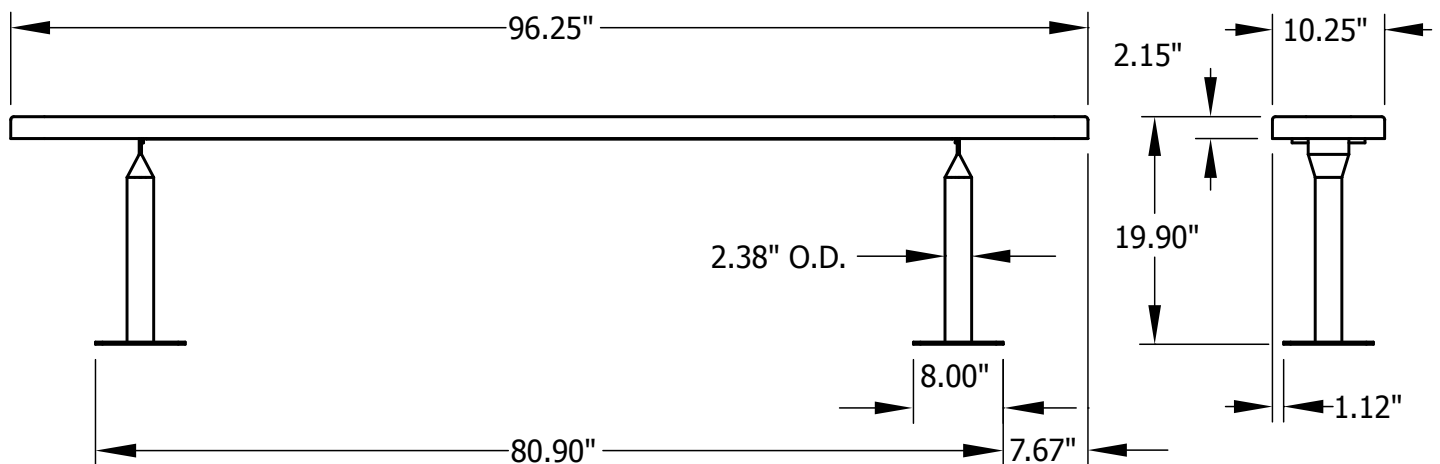
Assembly

The bench requires some assembly. Stainless steel assembly hardware is included.

TRI3025 model includes tamper resistant and stainless steel assembly hardware.

Maintenance

The product is virtually maintenance-free and requires only periodic cleaning with a sponge and a solution of mild detergent and water to remove surface dirt. Do not clean with solvent or petroleum based products.



Shipping Information

Unit Wt.	Unit Shipping Wt. UPS	Unit Shipping Wt. Truck (1+ Units)	Unit Ship Size w/Pallet	Max Units per Pallet	Pallet Wt. (98" x 32")	Total No. Pkgs	Shipping Class
63 lbs	N/A	70 lbs/unit	26 cu. ft.	10	100 lbs	2	70