

specification sheet

Indoff

SiteFurnishings.Indoff.com
(844)433-9610

NOTE: All measurements are nominal

F3022 - 6' Bench

Unit Wt.: 65 lbs.

Ship. Wt.: 165 lbs.

Cubic Feet: Supports-1 Cubic Foot
Seat-2 Cubic Feet

Box Size: Supports: $8\frac{5}{8}$ "x $10\frac{1}{2}$ "x21"
Seat: $2\frac{1}{8}$ "x21"x $72\frac{3}{8}$ "

Shipping Class: 70

Overall Dimensions: $72\frac{1}{4}$ "Lx $10\frac{1}{4}$ "W

F3025 - 8' Bench

Unit Wt.: 75 lbs.

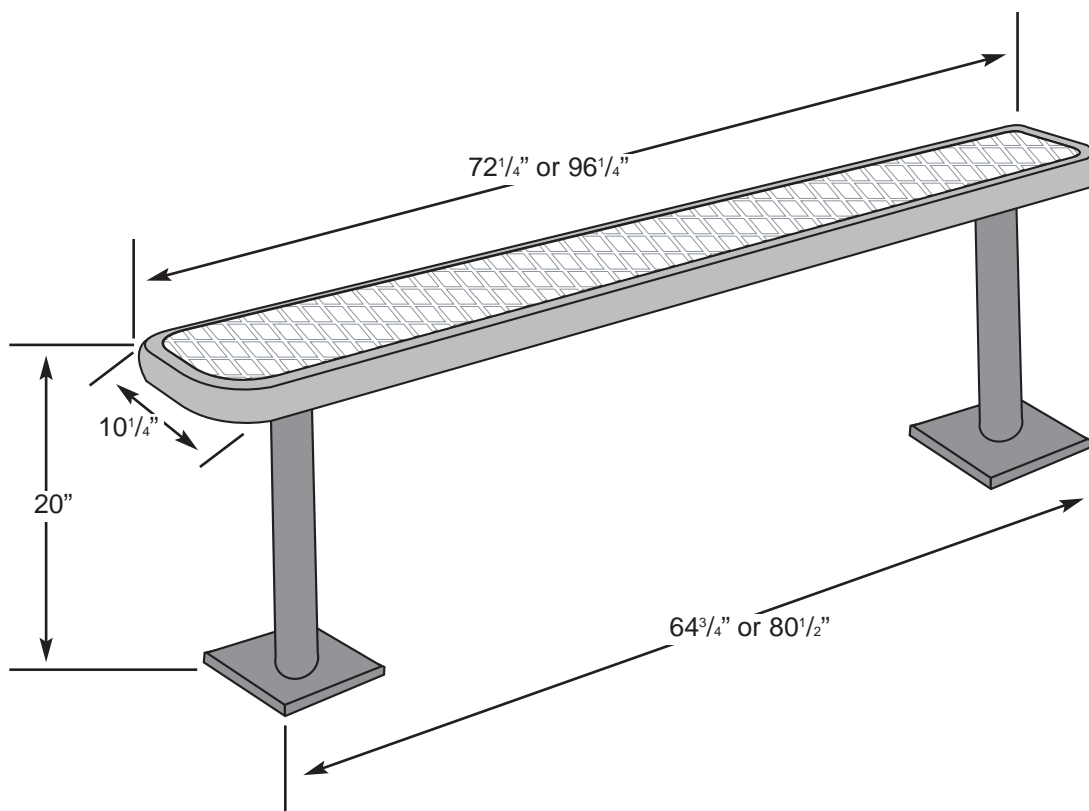
Ship. Wt.: 175 lbs.

Cubic Feet: Supports-1 Cubic Foot
Seat-2.5 Cubic Feet

Box Size: Supports: $8\frac{5}{8}$ "x $10\frac{1}{2}$ "x21"
Seat: $2\frac{1}{8}$ "x21"x $96\frac{3}{8}$ "

Shipping Class: 70

Overall Dimensions: $96\frac{1}{4}$ "Lx $10\frac{1}{4}$ "W



NOTE: This sheet should not be used for assembly, please call for assembly instructions

F3022/F3025 - 08/02