



## F2017 PICNIC TABLE

**46" expanded steel picnic table,  
ADA compliant, 2 flat bench seats  
with traditional edge, levelers,  
portable mount**

### Material

The table is 46.25" square and features two flat bench seats with traditional edges and is ADA compliant. The table top and seats are 3/4 #9 expanded steel with a diamond shape pattern. Table top and seats are plastisol coated with an average thickness of .125" and are finished with high-gloss patented TopCoat®. The table also features a 1.53" diameter umbrella hole in the center. The table top is designed to support 100 lbs per square foot and the seats will support 200 lbs per linear foot.

The frames are made of 2.38" O.D. steel tubing protected with FusionGuard® rust protection. Frame is portable in design allowing for flexibility in placement.

### Finish

Fusion Advantage is a heat fused plastisol coating that creates an impervious rustproof barrier and resists UV deterioration, mildew, staining and fading.

The finish has been tested to the requirements of ASTM E1354 and is determined to be in compliance with California Uniform Fire Code 1103.2.1.4.2.

A state of the art primer is applied to all of the under supports, providing extreme rust fighting protection and durability. Treated components exceed the industry standard by 34% in testing by independent sources.

### Color

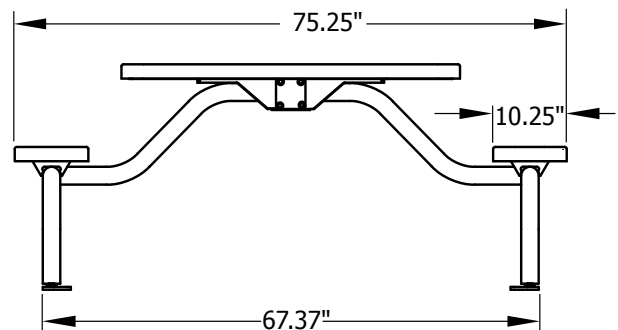
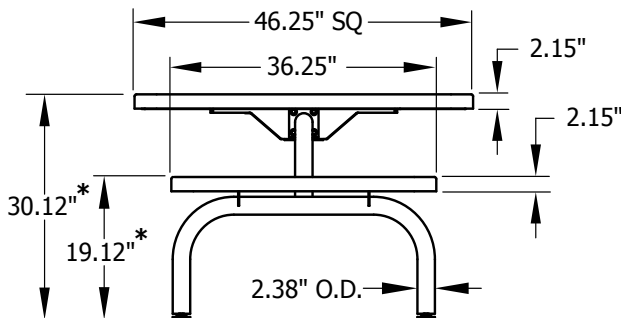
See website or sales representative for color choices.

### Assembly

Table requires some assembly. Stainless steel assembly hardware is included.

### Maintenance

The product is virtually maintenance-free and requires only periodic cleaning with a sponge and a solution of mild detergent and water to remove surface dirt. Do not clean with solvent or petroleum based products.



\*LEVELERS MAY BE ADJUSTED  
OUT A MAXIMUM OF 1.00" FROM  
THE DIMENSION SHOWN.

### Shipping Information

Unit Wt.	Unit Shipping Wt. UPS	Unit Shipping Wt. Truck (1+ Units)	Unit Ship Size w/Pallet	Max Units per Pallet	Pallet Wt. (48" x 48")	Total No. Pkgs	Shipping Class
179 lbs	NA	205 lbs/unit	48 cu. ft.	2	50 lbs	2	150