



**F2010
PICNIC TABLE**
8' expanded steel picnic table,
rolled edge, flat bench seats,
portable mount

Accessories

- 1-Hole Hold Down Kit **A2375**
- 2-Hole Hold Down Kit **A2376**

Material

The table is 96.14" in length and features two flat bench seats. The table top and seats are 3/4 #9 expanded steel with a diamond shape pattern and feature a rolled edge. The table top and seats are protected by Fusion Advantage™, a plastisol coating with an average .125" thickness and a high-gloss powder coat. The table top is designed to support 100 lbs per square foot and the seats will support 200 lbs per linear foot. The seat height can be adjusted to either 21.39" or 19.76" during assembly.

The frames are made of 2.38" O.D. steel tubing protected by a fade resistant powder coat finish featuring a state of the art primer proven to prevent rusting. The frame is portable in design allowing for flexibility in placement.

Finish

Fusion Advantage is a heat fused plastisol coating that creates an impervious rustproof barrier and resists UV deterioration, mildew, staining and fading.

The finish has been tested to the requirements of ASTM E1354 and is determined to be in compliance with California Uniform Fire Code 1103.2.1.4.2.

A state of the art primer is applied to all of the under supports, providing extreme rust fighting protection and durability. Treated components exceed the industry standard by 34% in testing by independant sources.

Color

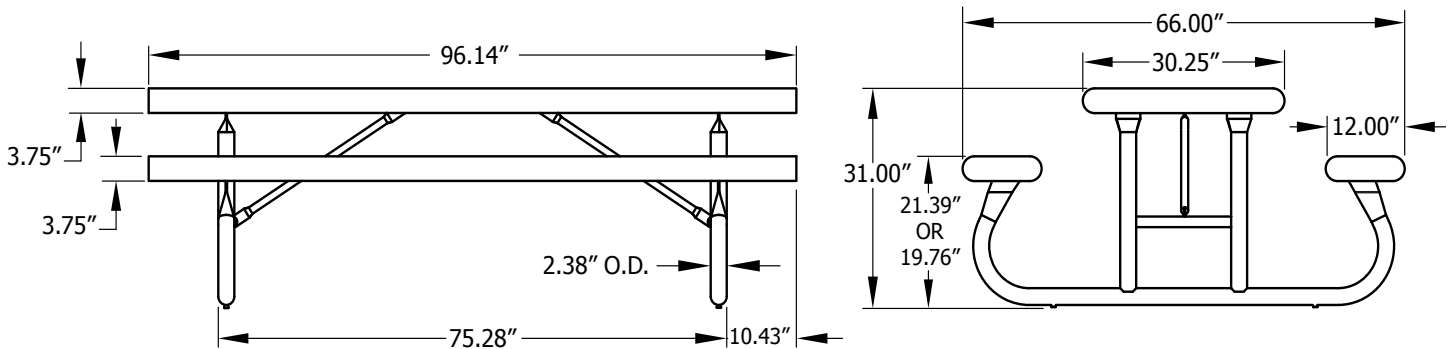
See website or sales representative for color choices.

Assembly

Table requires some assembly. Stainless steel assembly hardware is included.

Maintenance

The product is virtually maintenance-free and requires only periodic cleaning with a sponge and a solution of mild detergent and water to remove surface dirt. Do not clean with solvent or petroleum based products.



Shipping Information

Unit Wt.	Unit Shipping Wt. UPS	Unit Shipping Wt. Truck (1+ Units)	Unit Ship Size w/Pallet	Max Units per Pallet	Pallet Wt. (98" x 32")	Total No. Pkgs	Shipping Class
291 lbs	N/A	314 lbs/unit	33 cu. ft.	5	100 lbs	3	70