



**F1147**  
**VERANDA PATIO TABLE**  
 46" diameter expanded steel patio table with 1.53" diameter umbrella opening

**Accessories**

8' Umbrella	<b>7LPU</b>
9' Umbrella	<b>9LPU</b>
Umbrella Base	<b>UB15</b>
2-Hole Hold Down Kit	<b>A2374</b>

**Material**

The 46.25" round patio table has four legs supporting the table top. The table top is made of 3/4 #9 expanded steel with a diamond shape pattern and features a traditional edge. The table top is protected by Fusion Advantage™, a plastisol coating with an average .125" thickness and a high-gloss powder coat. The table also features a 1.53" diameter umbrella hole in the center. The table top is designed to support 100 lbs per square foot.

The table legs are made of 1.66" O.D. steel tubing protected by a fade resistant powder coat finish featuring a state of the art primer proven to prevent rusting. The table is designed to be portable for flexibility in placement.

**Finish**

Fusion Advantage is a heat fused plastisol coating that creates an impervious rustproof barrier and resists UV deterioration, mildew, staining and fading.

The finish has been tested to the requirements of ASTM E1354 and is determined to be in compliance with California Uniform Fire Code 1103.2.1.4.2.

A state of the art primer is applied to all of the under supports, providing extreme rust fighting protection and durability. Treated components exceed the industry standard by 34% in testing by independant sources.

**Color**

See website or sales representative for color choices.

**Assembly**

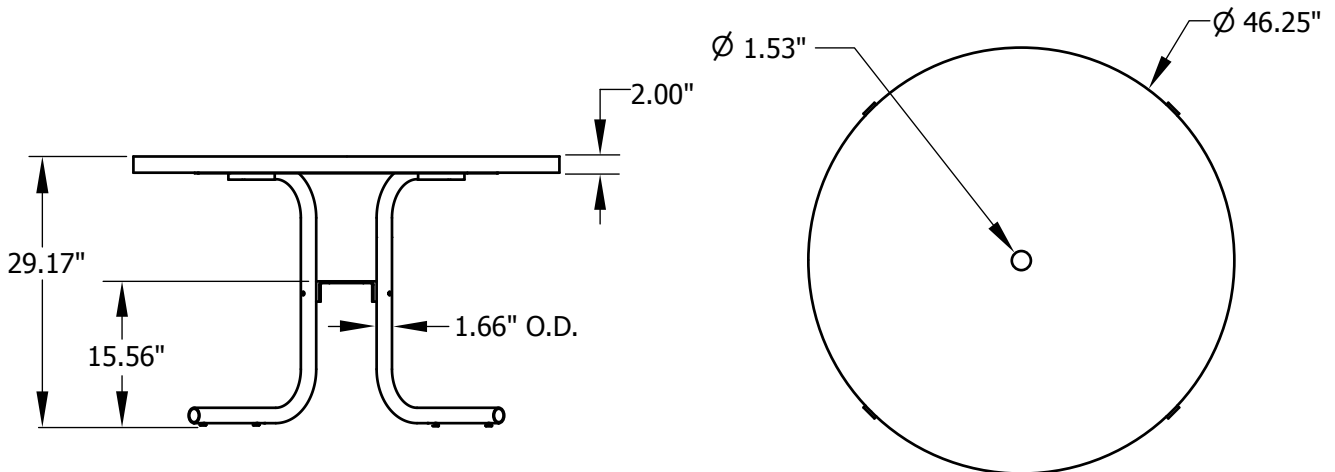
The table requires some assembly. Stainless steel assembly hardware is included.

**Maintenance**

The product is virtually maintenance-free and requires only periodic cleaning with a sponge and a solution of mild detergent and water to remove surface dirt. Do not clean with solvent or petroleum based products.

**Warranty**

20-year limited structural warranty with 7-year finish warranty from the date of purchase. See full details on multi-year warranties for components at [www.anovafurnishings.com/warranty.aspx](http://www.anovafurnishings.com/warranty.aspx).



**Shipping Information**

Unit Wt.	Unit Shipping Wt. UPS	Unit Shipping Wt. Truck (1+ Units)	Unit Ship Size	Max Units per Pallet	Pallet Wt. (48" x 48")	Total No. Pkgs	Shipping Class
90 lbs	N/A	105 lbs	23 cu. ft.	3	50	2	70