



F1145
VERANDA CHAIR
expanded steel chair

Material

The chair is made using 1" diameter steel tubing for the frame and legs and the seat is made of 3/4 #9 expanded steel with a diamond shape. The chair seat is plastisol coated with an average thickness of .125" and finished with a high-gloss patented TopCoat®. The seat will support 200 lbs per linear foot.

The legs are protected with patented FusionGuard rust protection and have plastic glides to protect the floor or supporting surface.

Finish

TopCoat™ patented high-gloss finish resists UV deterioration, mildew, staining and fading.

The TopCoat finish has been tested to the requirements of ASTM E 1354 and is determined to be in compliance with California Uniform Fire Code 1103.2.1.4.2. FusionGuard® primer is applied to all of the under supports, providing extreme rust fighting protection and durability. Under supports treated with FusionGuard exceed industry standard by 34% in testing by independent sources.

Color

This product is available in the following vibrant colors: Black, Blue, Bronze, Brown, Burgundy, Camel, Charcoal, Evergreen, Gray, Navy, Orange, Purple, Red, Sage, Silver, Teal, Vanilla, White, and Yellow.

Assembly

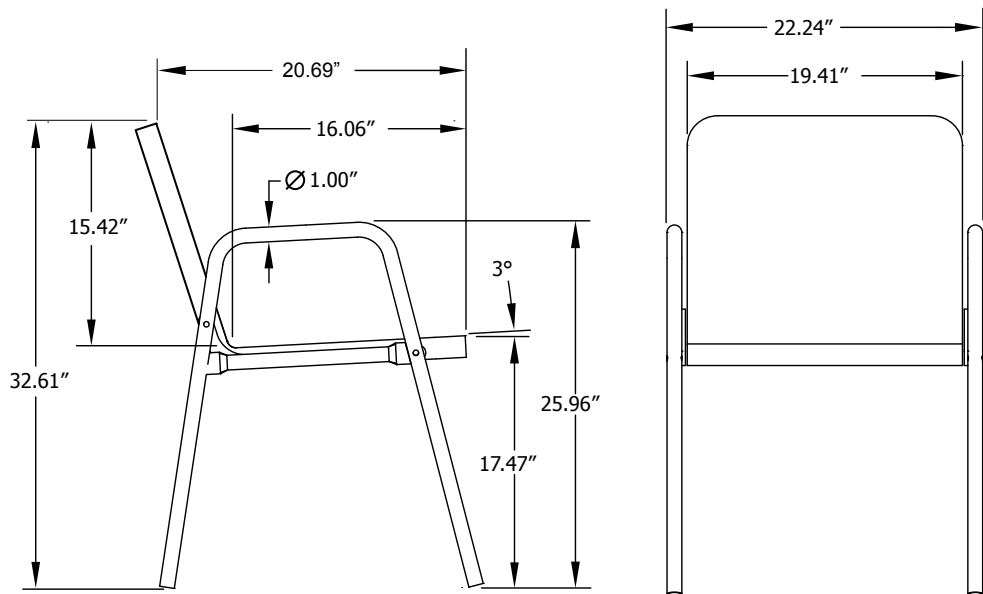
Some assembly is required.

Maintenance

The product is virtually maintenance-free and requires only periodic cleaning with a sponge and a solution of mild detergent and water to remove surface dirt. Do not clean with solvent or petroleum based products.

Warranty

This product is covered by a 20-year limited structural warranty with a 7-year finish warranty from the date of purchase.



Shipping Information

| Unit Wt. | Unit Shipping Wt. UPS | Unit Shipping Wt. Truck (1+ Units) | Unit Ship Size | Max Units per Pallet | Pallet Wt. (32" x 48") | Total No. Pkgs | Shipping Class |
|----------|-----------------------|------------------------------------|----------------|----------------------|------------------------|----------------|----------------|
| 23 lbs | N/A | 38 lbs | 31 cu. ft. | 24 | 50 | 2 | 70 |