

# specification sheet

## F1110 - Children's Table

Unit Wt.: 200 lbs.

Ship. Wt.: 250 lbs.

Cubic Feet: Support-13.5 Cubic Feet

Top-3 Cubic Feet

Seat-2 Cubic Feet

Box Size: Support: 20<sup>1</sup>/<sub>2</sub>"x28"x39<sup>3</sup>/<sub>4</sub>"

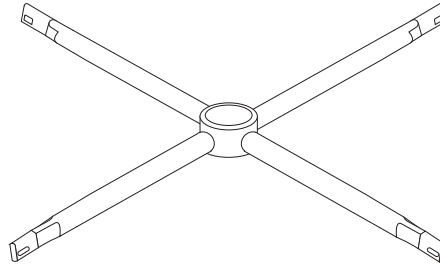
Top: 2<sup>1</sup>/<sub>4</sub>"x46<sup>1</sup>/<sub>4</sub>"x46<sup>1</sup>/<sub>4</sub>"

Seat: 4<sup>5</sup>/<sub>8</sub>"x20<sup>5</sup>/<sub>8</sub>"x36<sup>1</sup>/<sub>2</sub>"

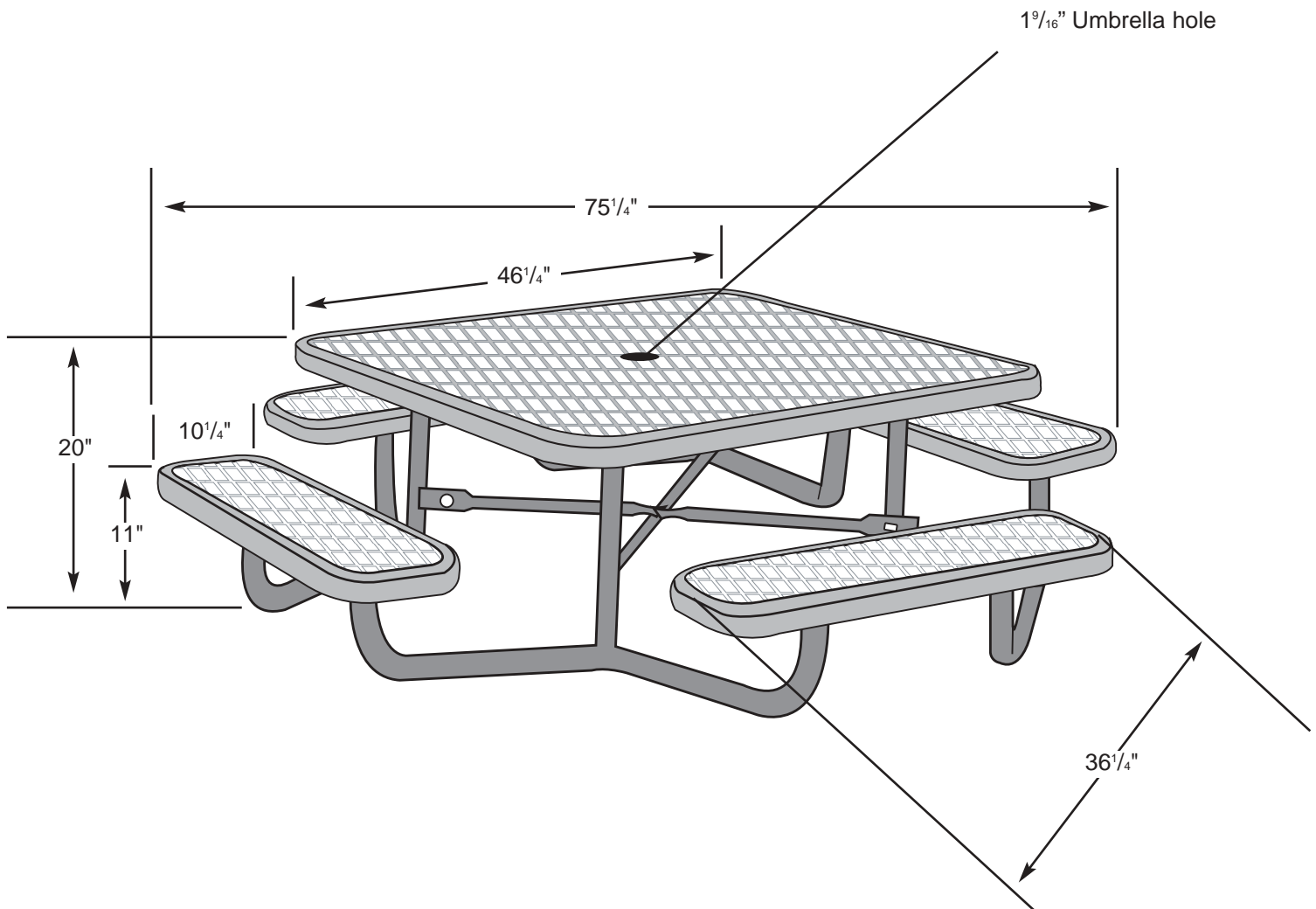
Shipping Class: 70

Overall Size: 75<sup>1</sup>/<sub>4</sub>"Sq.

**NOTE: All measurements are nominal**



**Closeup of Cross Brace**



**NOTE: This sheet should not be used for assembly, please call for assembly instructions**