



F1074
PICNIC TABLE
 octagonal expanded steel picnic table with 4 seats, traditional edge, in ground mount

Accessories

8' Umbrella
 9' Umbrella

7LPU
 9LPU

Material

The table is octagonally shaped and features four flat bench seats. The table top and seats are 3/4 #9 expanded steel with a diamond shape and feature a traditional edge. Table top and seats are protected by Fusion Advantage™, a plastisol coating with an average .125" thickness and a high-gloss powder coat. The table also features a 1.56" diameter umbrella hole in the center. The table top is designed to support 100 lbs per square foot and the seats will support 200 lbs per linear foot.

The seat supports are made of 2.38" O.D. steel tubing protected by a fade resistant powder coat finish featuring a state of the art primer proven to prevent rusting. The frame is 4" square tube, also with a fade resistant powder coat finish and state of the art primer. It is designed to be mounted 26.06" deep for a sturdy support.

Finish

Fusion Advantage is a heat fused plastisol coating that creates an impervious rustproof barrier and resists UV deterioration, mildew, staining and fading.

The finish has been tested to the requirements of ASTM E1354 and is determined to be in compliance with California Uniform Fire Code 1103.2.1.4.2.

A state of the art primer is applied to all of the under supports, providing extreme rust fighting protection and durability. Treated components exceed the industry standard by 34% in testing by independent sources.

Color

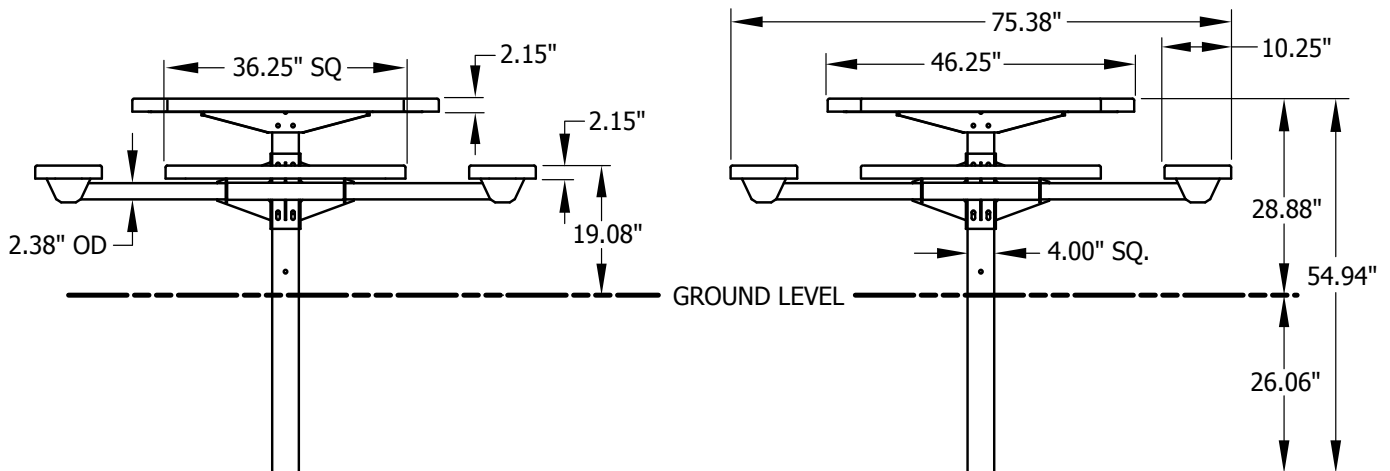
See website or sales representative for color choices.

Assembly

Table requires minor assembly. Stainless steel assembly hardware is included. In ground installation requires site preparation and construction of a temporary support.

Maintenance

The product is virtually maintenance-free and requires only periodic cleaning with a sponge and a solution of mild detergent and water to remove surface dirt. Do not clean with solvent or petroleum based products.



Shipping Information

Unit Wt.	Unit Shipping Wt. UPS	Unit Shipping Wt. Truck (1+ Units)	Unit Ship Size w/Pallet	Max Units per Pallet	Pallet Wt. (58" x 48")	Total No. Pkgs	Shipping Class
257 lbs	N/A	274 lbs/unit	37 cu. ft.	3	50 lbs	4	70