



## F1030 COURTYARD CONTOUR BENCH

4' expanded steel contour bench,  
portable mount, arm rests

### Material

The bench is 48.38" long. The contour seat is made of 3/4 #9 expanded steel with a diamond shaped pattern. The bench is protected by Fusion Advantage™, a plastisol coating with an average .125" thickness and a high-gloss powder coat. The bench seat will support 200 lbs per linear foot.

The bench features end arm rests of 1.66" O.D. steel tubing. The legs are made of 2.38" O.D. steel tubing. The legs and arm rests are protected by a fade resistant powder coat finish featuring a state of the art primer proven to prevent rusting. They are designed to be portable for flexibility in placement.

### Finish

Fusion Advantage is a heat fused plastisol coating that creates an impervious rustproof barrier and resists UV deterioration, mildew, staining and fading.

The finish has been tested to the requirements of ASTM E1354 and is determined to be in compliance with California Uniform Fire Code 1103.2.1.4.2.

A state of the art primer is applied to all of the under supports, providing extreme rust fighting protection and durability. Treated components exceed the industry standard by 34% in testing by independent sources.

### Color

See website or sales representative for color choices.

### Assembly

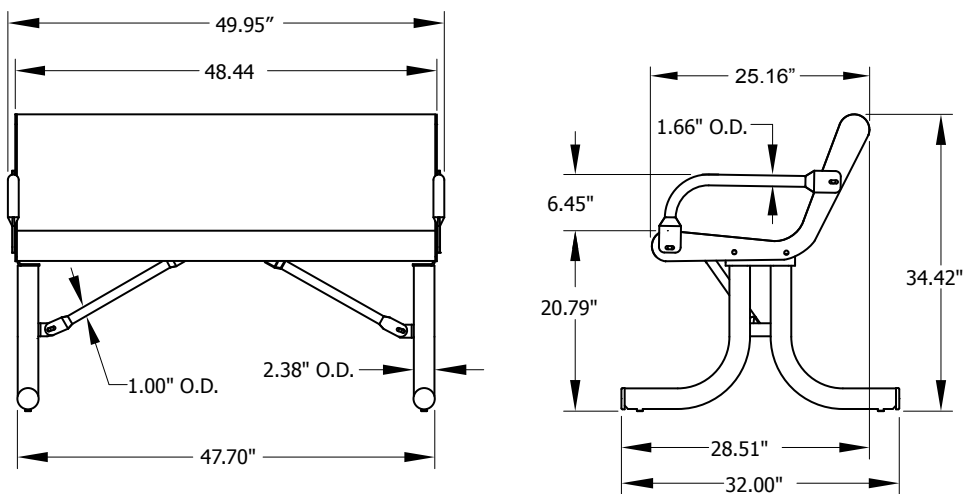
The bench requires some assembly.

### Maintenance

The product is virtually maintenance-free and requires only periodic cleaning with a sponge and a solution of mild detergent and water to remove surface dirt. Do not clean with solvent or petroleum based products.

### Warranty

20-year limited structural warranty with 7-year finish warranty from the date of purchase. See full details on multi-year warranties for components at [www.anovafurnishings.com/warranty.aspx](http://www.anovafurnishings.com/warranty.aspx).



### Shipping Information

Unit Wt.	Unit Shipping Wt. UPS	Unit Shipping Wt. Truck (1+ Units)	Unit Ship Size w/Pallet	Max Units per Pallet	Pallet Wt. (48" x 32")	Total No. Pkgs	Shipping Class
94 lbs	N/A	106 lbs/unit	20 cu. ft.	3	50 lbs	2	70