



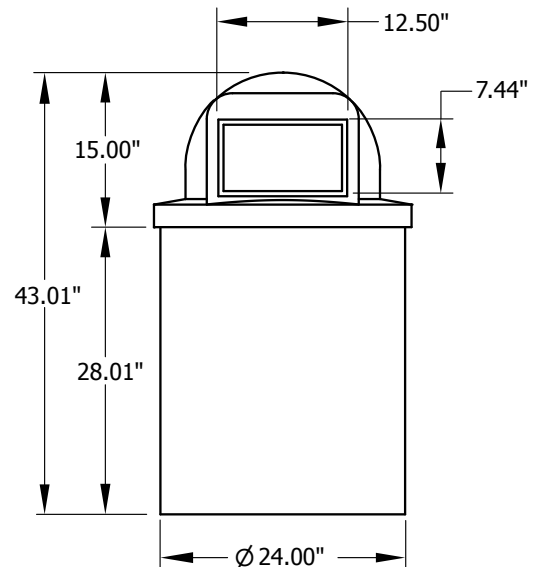
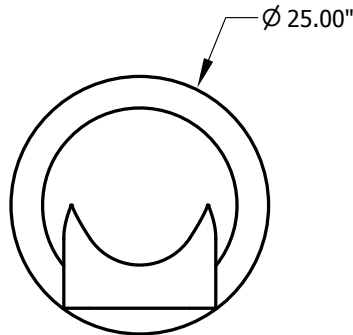
F1021D
ULTRA RECEPTACLE
 32-gallon expanded steel
 receptacle with dome top and liner

Replacement Parts

- Dome Top **F3015**
- Black Plastic Liner **F1017**

Accessories

- Trad. Inground Mount **F1094**
- Trad. Surface Mount **F1098**
- 45° Surface Mount **F1406**
- 45° Inground Mount **F1407**
- Corkscrew Anchor **A1020**



Shipping Information

Unit Wt.	Unit Shipping Wt. UPS (1 Unit)	Unit Shipping Wt. Truck (2+ Units)	Unit Ship Size w/Pallet	Max Units per Pallet	Pallet Wt. (48" x 48")	Total No. Pkgs	Shipping Class
77 lbs	145 lbs/unit	87 lbs/unit	32 cu. ft.	8	50 lbs	1	150

Material

The 32-gallon receptacle body is made of 3/4 #9 expanded steel with a diamond pattern. The receptacle is protected by Fusion Advantage™, a plastisol coating with an average .125" thickness and a high-gloss powder coat.

The dome top is made of Linear Low Density Polyethylene and features a 7.44" x 12.50" self-closing push door and a tether to attach the top to the receptacle.

The reusable 32-gallon plastic liner is made of black high-density polyethylene.

Options and Accessories

Optional mounting kits for various applications are available.

Finish

Fusion Advantage is a heat fused plastisol coating that creates an impervious rustproof barrier and resists UV deterioration, mildew, staining and fading.

The finish has been tested to the requirements of ASTM E1354 and is determined to be in compliance with California Uniform Fire Code 1103.2.1.4.2.

Color

See website or sales representative for color choices.

The dome top is available in the following colors: Black, Blue, Brown, Evergreen, Gray, and Red.

Assembly

Attachment of the top to the receptacle body requires some assembly. Mounting options require assembly also, if purchased.

Maintenance

The product is virtually maintenance-free and requires only periodic cleaning with a sponge and a solution of mild detergent and water to remove surface dirt. Do not clean with solvent or petroleum based products.

Warranty

20-year limited structural warranty with 7-year finish warranty from the date of purchase. See full details on multi-year warranties for components at www.anovafurnishings.com/warranty.aspx.