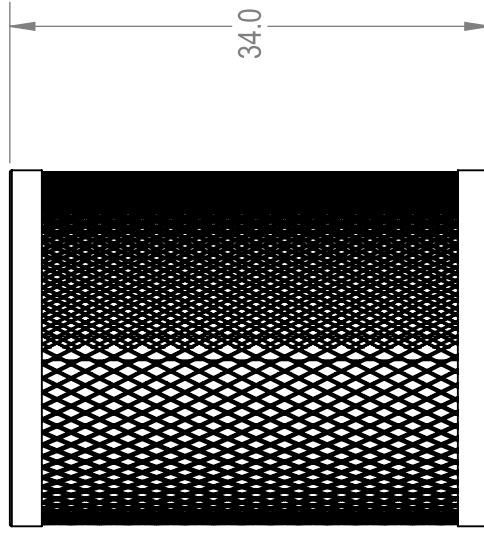
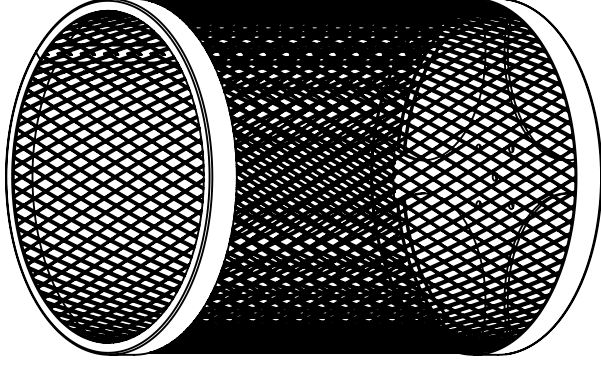
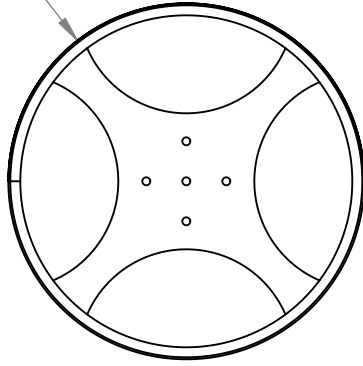


Ø 26.0



34.0



Mfg. by Advantage Panels & Fence, Inc.

MYTCOAT

Commercial Outdoor Furniture

www.mytcoat.com

PROPRIETARY AND CONFIDENTIAL
THE INFORMATION CONTAINED IN THIS DRAWING IS THE SOLE PROPERTY OF Advantage Panels & Fence, Inc. PO Box 1790 Whitney, TX. ANY REPRODUCTION IN PART OR AS A WHOLE WITHOUT THE WRITTEN PERMISSION OF Advantage Panels & Fence, Inc. PO Box 1790 Whitney, TX. IS PROHIBITED.

DRAWN	GM	DATE	2/23/2016
SALES APPR.			
CLIENT APPR.			
MFG. APPR.			
Q.A.			
Design By -			
CADWorksPro Chicago, IL			
www.cadworkspro.com			
A Advantage Panels & Fence, Inc.		55 Gallon Trash Receptacle	
TITLE:		Expanded Metal Version	
SIZE	DWG. NO.	REV	
A	RRD55-A-00-000		
WEIGHT:	SHEET 1 OF 4		