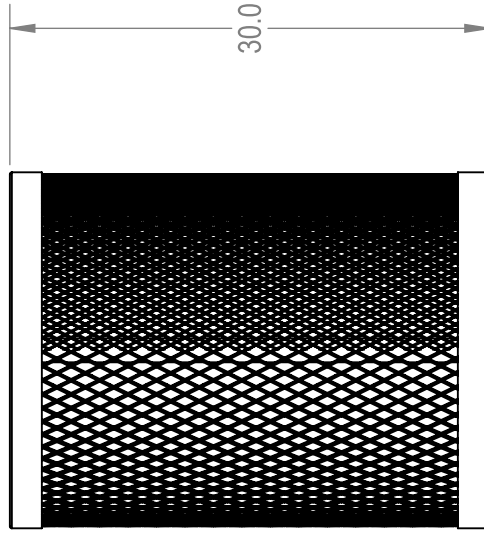
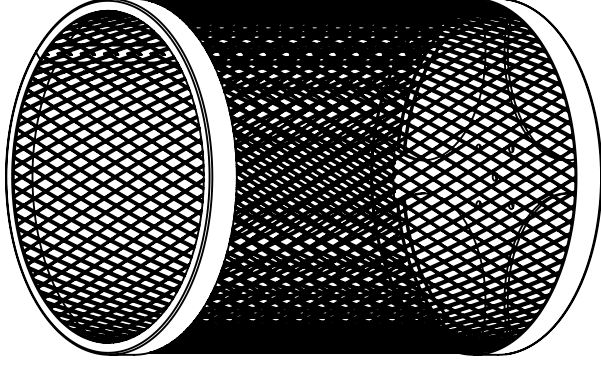
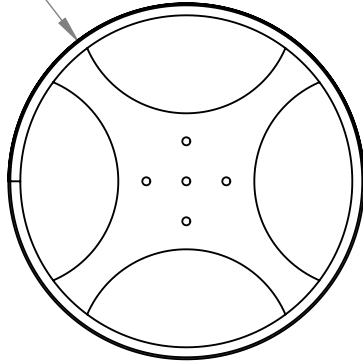


Ø 22.5



Mfg. by Advantage Panels & Fence, Inc.

# MYTCOAT

Commercial Outdoor Furniture

[www.mytcoat.com](http://www.mytcoat.com)

**PROPRIETARY AND CONFIDENTIAL**  
THE INFORMATION CONTAINED IN THIS DRAWING IS THE SOLE PROPERTY OF Advantage Panels & Fence, Inc. PO Box 1790 Whitney, TX. ANY REPRODUCTION IN PART OR AS A WHOLE WITHOUT THE WRITTEN PERMISSION OF Advantage Panels & Fence, Inc. PO Box 1790 Whitney, TX. IS PROHIBITED.

DRAWN	GM	DATE	2/23/2016
SALES APPR.			
CLIENT APPR.			
MFG. APPR.			
Q.A.			
Design By -			
CADWorksPro Chicago, IL			
www.cadworkspro.com			

**A Advantage Panels & Fence, Inc.**

TITLE:

**32 Gallon Trash Receptacle**

**Expanded Metal Version**

SIZE DWG. NO. REV

**A RRD32-A-00-000**

WEIGHT: SHEET 1 OF 4