



Material

The 30-gallon receptacle is composed of .5" thick aggregate and epoxy bonded to a hardboard substrate and supported by a non-rusting aluminum frame. The receptacle includes rubber feet and a bonnet top made of an aluminum frame and polyethylene panel. The bonnet top lifts off for easy trash disposal.

The reusable plastic liner is made of black high-density polyethylene.

The receptacle is designed to be portable, allowing for flexibility in placement.

Finish

The aggregate is cast in a durable epoxy resin that remains clear and bright throughout its life.

Color

See website or sales representative for color choices.

Assembly

The receptacle arrives fully assembled for immediate use on site.

Maintenance

Maintenance-free. To clean, spray with a power washer.

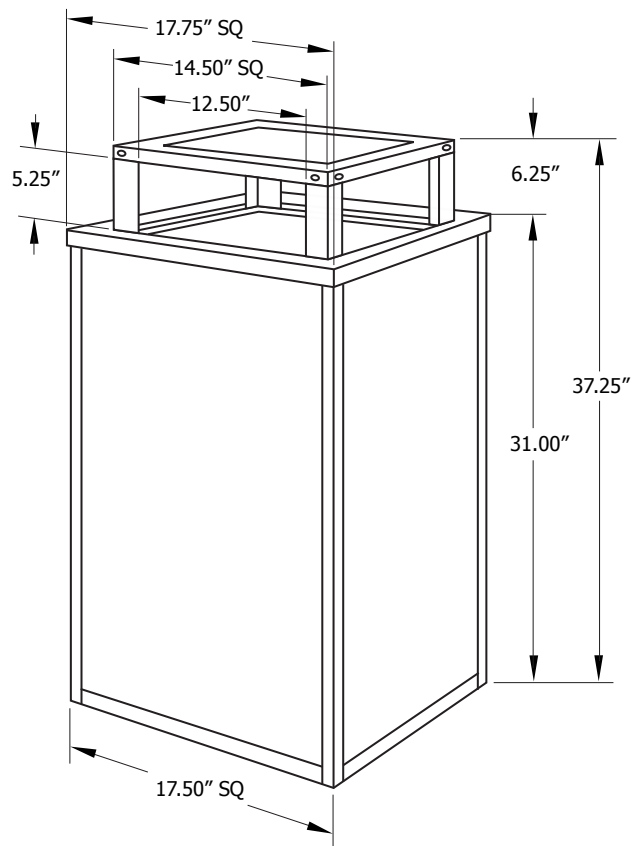
**E30AG
ESSENCE RECEPTACLE**
30-gallon bonded aggregate panel
receptacle with rain bonnet and
plastic liner

Replacement Parts

Black Plastic Liner **R-E30PLR**

Accessories

Hold Down Kit **PANELHLD**



Shipping Information

Unit Wt.	Unit Shipping Wt. UPS	Unit Shipping Wt. Truck (1+ Units)	Unit Ship Size w/Pallet	Max Units per Pallet	Pallet Wt.	Total No. Pkgs	Shipping Class
103 lbs	N/A	110 lbs/unit	9 cu. ft.	N/A	N/A	1	125