

E30AGOT 30 Gal. Essence Trash Receptacle with Open Top

specification sheet



Description
30-gallon receptacle with funneled open top, 4 stone panels.

Technical Data
Non-rusting aluminum frame. Stone panels are .5" thick stone and epoxy mounted on a hardboard substrate. Funneled open top features a 6" diameter opening for easy trash disposal.

Assembly
Receptacle ships fully assembled.

Availability
Ships in 3 business days on quantities of 6 or less.

Warranty
Five-year warranty from shipping date.

Maintenance
Maintenance-free. Won't corrode, crack, splinter, rot or rust. To clean, spray with power washer.

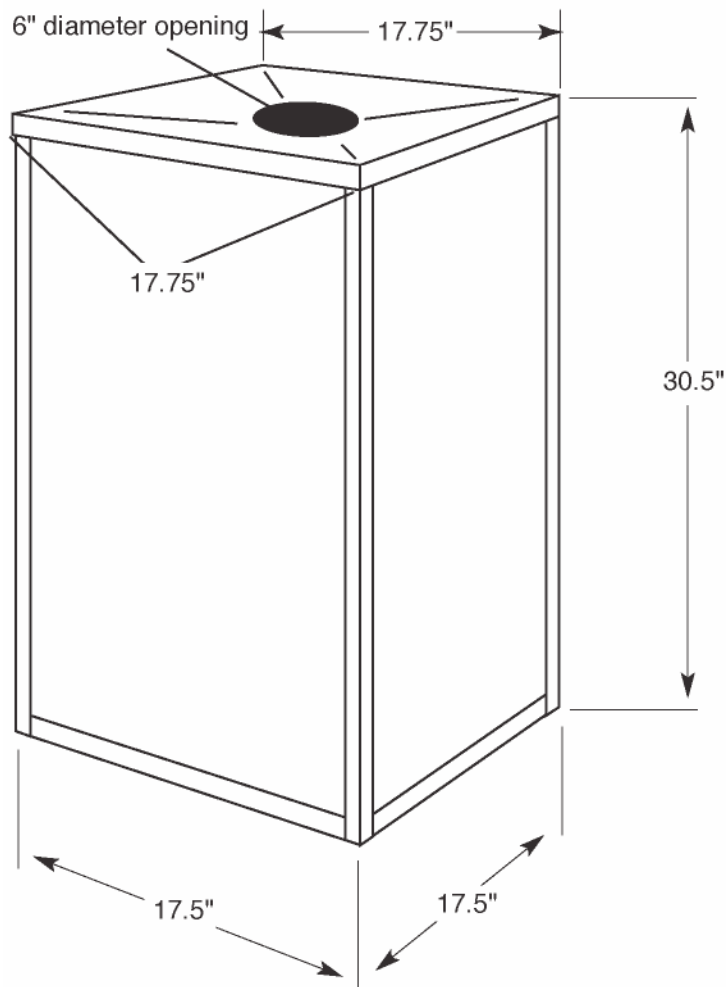
Options
Stone panels available in Riverrock, Alpine Red, Black Lustre, Golden Glo, Coffee Bean, or Pearl Grey. Frame available in painted Bronze or Silver anodized aluminum.

Included Items
Includes a rigid, reusable plastic liner.

Related Information
Hold down kit is available.

Typical Specification
30-gallon receptacle shall have a non-rusting aluminum frame with .5" thick stone and epoxy panels mounted on a hardboard substrate. Receptacle shall feature a high-density polyethylene funneled open top with a 6" diameter opening for easy trash disposal. Top shall lift off and have a 13" long security strap.

Receptacle shall ship fully assembled for quick setup on site.



Model	Capacity	Panels	Height	Unit Wt.	Ship. Wt.	Cubic Feet	Box Size (H x Sq.)	Shipping Class
E30AGOT	30 Gallon	4 Stone	30.5"	88 lbs.	101 lbs.	9.73	40"H x 20.5"Sq.	125

SiteFurnishings.Indoff.com
(844) 433-9610
Allen Peterson