



DIMENSION

FLAT TOP

The Dimension decorative refuse container's solid or perforated steel panels create an upscale, dimensional look that complements contemporary outdoor environments.

FEATURES AND BENEFITS:

FEATURES

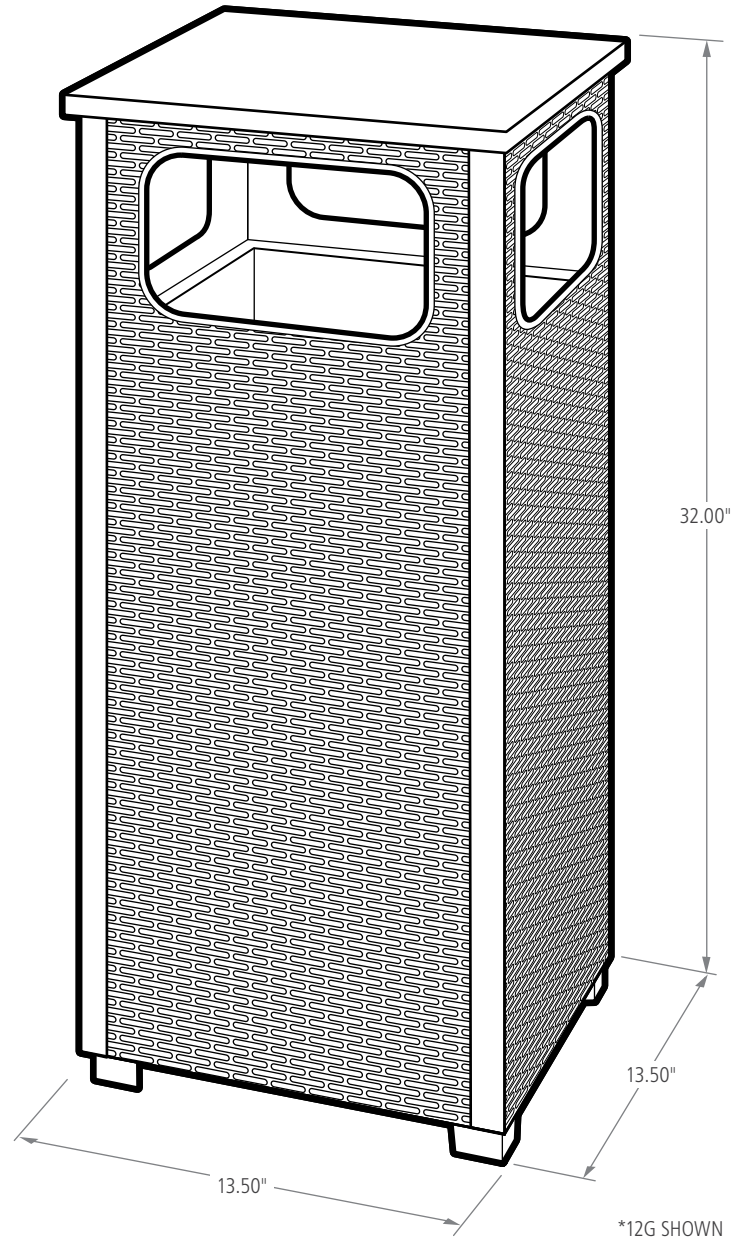
- ▶ Heavy-gauge, fire-safe galvanized steel
- ▶ Leak-proof rigid plastic liner included to help contain liquids and keep the surrounding area cleaner
- ▶ Durable powder coat finish withstands severe weather and resists fading even when exposed to harsh UV rays
- ▶ Adjustable leg levelers create stability on uneven surfaces
- ▶ Shipped fully assembled

ACCESSORIES

- ▶ Anchoring kits available to secure receptacle in place
- ▶ Factory-installed lid locks



ADA COMPLIANT



SiteFurnishings.Indoff.com
 (844) 433-9610
 Allen Peterson

GALLONS	LENGTH (in.)	WIDTH (in.)	HEIGHT (in.)
12G* (SHOWN)	13.50	13.50	32.00
24G	18.00	18.00	32.00

build your own ▶ rubbermaidcommercial.com/customize



DIMENSION

FLAT TOP

STANDARD COLOR OPTIONS



BLACK
GLOSS



ANTHRACITE
METALLIC

SKU #	DESCRIPTION	LINER	COLOR	GALLONS	WEIGHT (lbs.)	LENGTH (in.)	WIDTH (in.)	HEIGHT (in.)
FGR12500PL	DIMENSION FLAT TOP 45L/12G	PLASTIC	BLACK GLOSS W/ ANTHRACITE METALLIC PERF PANELS	12	61.00	13.50	13.50	32.00
FGR125BKPL	DIMENSION FLAT TOP 45L/12G	PLASTIC	BLACK GLOSS	12	39.00	13.50	13.50	32.00
FGR18500PL	DIMENSION FLAT TOP 90L/24G	PLASTIC	BLACK GLOSS W/ ANTHRACITE METALLIC PERF PANELS	24	66.00	18.00	18.00	32.00

BUILD YOUR OWN [▶RUBBERMAIDCOMMERCIAL.COM/CUSTOMIZE](https://www.rubbermaidcommercial.com/customize)





DIMENSION

ASH/TRASH

The Dimension decorative refuse container's solid or perforated steel panels create an upscale, dimensional look that complements contemporary outdoor environments.

FEATURES AND BENEFITS:

FEATURES

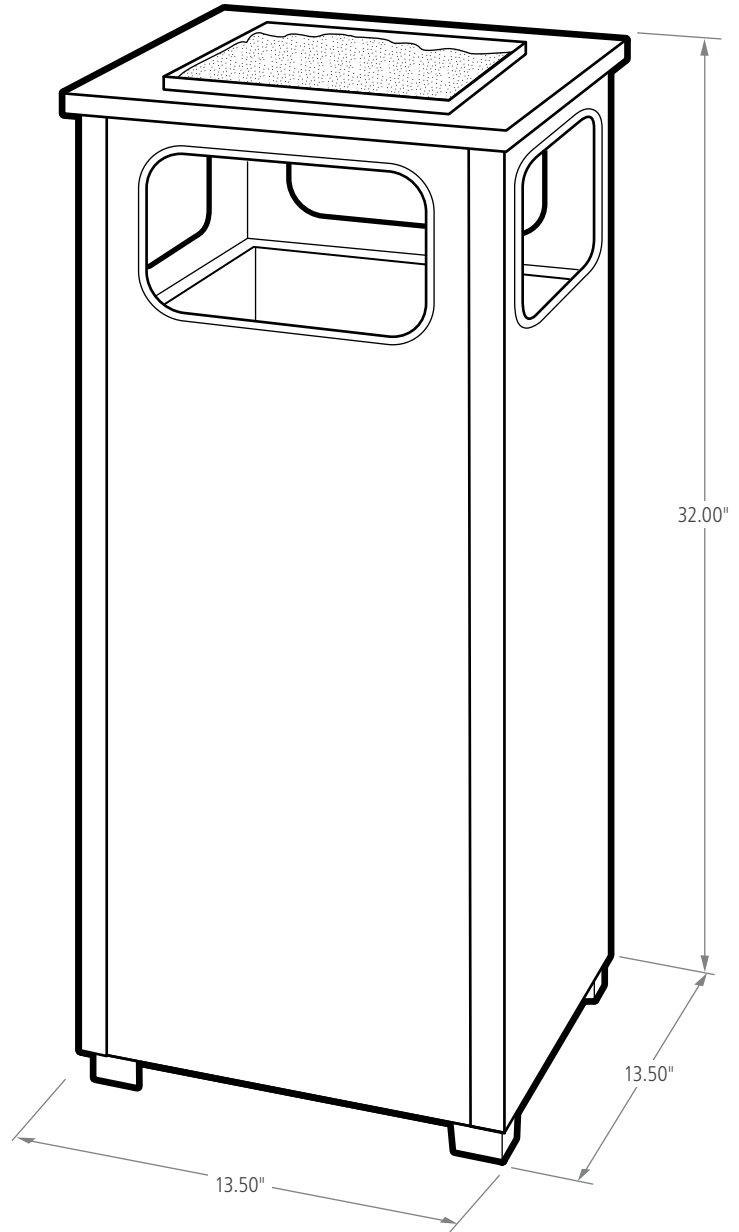
- ▶ Sand pan can be removed from the Ash/Trash style for easy cleaning and waste disposal
- ▶ Heavy-gauge, fire-safe galvanized steel
- ▶ Leak-proof rigid plastic liner included to help contain liquids and keep the surrounding area cleaner
- ▶ Durable powder coat finish withstands severe weather and resists fading even when exposed to harsh UV rays
- ▶ Adjustable leg levelers create stability on uneven surfaces
- ▶ Shipped fully assembled

ACCESSORIES

- ▶ Anchoring kits available to secure receptacle in place
- ▶ Factory-installed lid locks



ADA COMPLIANT



GALLONS	LENGTH (in.)	WIDTH (in.)	HEIGHT (in.)
12G	13.50	13.50	32.00

SiteFurnishings.Indoff.com
 (844) 433-9610
 Allen Peterson

build your own ▶ rubbermaidcommercial.com/customize



DIMENSION

ASH/TRASH

▶ STANDARD COLOR OPTIONS



BLACK
GLOSS

SKU #	DESCRIPTION	LINER	COLOR	GALLONS	WEIGHT (lbs.)	LENGTH (in.)	WIDTH (in.)	HEIGHT (in.)
FGR12SUSBKPL	DIMENSION ASH/TRASH 45L/12G	PLASTIC	BLACK GLOSS	12	39.00	13.50	13.50	32.00

BUILD YOUR OWN ▶ [RUBBERMAIDCOMMERCIAL.COM/CUSTOMIZE](https://www.rubbermaidcommercial.com/customize)





DIMENSION

ASH/TRASH WITH WEATHER SHIELD

The Dimension decorative refuse container's solid or perforated steel panels create an upscale, dimensional look that complements contemporary outdoor environments.

FEATURES AND BENEFITS:

FEATURES

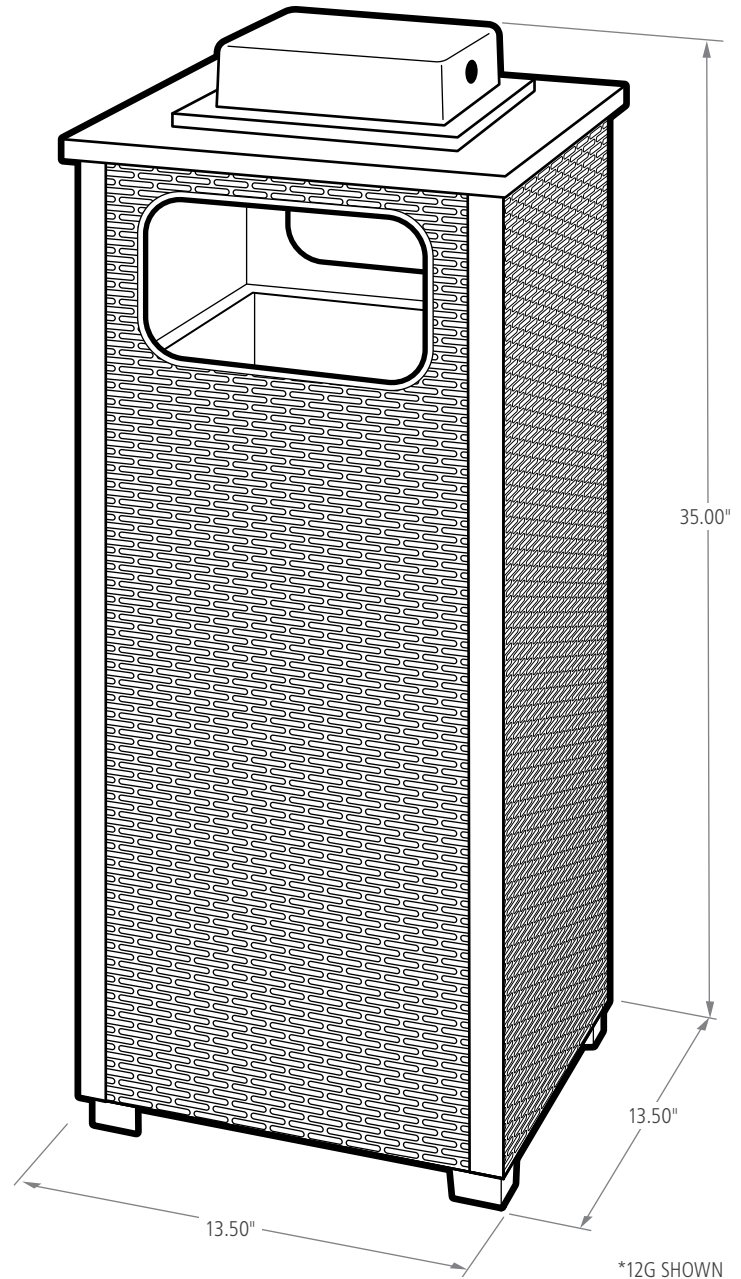
- ▶ Sand pan can be removed from the Ash/Trash style for easy cleaning and waste disposal
- ▶ Heavy-gauge, fire-safe galvanized steel
- ▶ Leak-proof rigid plastic liner included to help contain liquids and keep the surrounding area cleaner
- ▶ Durable powder coat finish withstands severe weather and resists fading even when exposed to harsh UV rays
- ▶ Adjustable leg levelers create stability on uneven surfaces
- ▶ Shipped fully assembled

ACCESSORIES

- ▶ Anchoring kits available to secure receptacle in place
- ▶ Factory-installed lid locks



ADA COMPLIANT



*12G SHOWN

GALLONS	LENGTH (in.)	WIDTH (in.)	HEIGHT (in.)
12G* (SHOWN)	13.50	13.50	35.00
24G	18.00	18.00	35.00

SiteFurnishings.Indoff.com
 (844) 433-9610
 Allen Peterson

build your own ▶ rubbermaidcommercial.com/customize



DIMENSION

ASH/TRASH WITH WEATHER SHIELD

STANDARD COLOR OPTIONS



BLACK
GLOSS



ANTHRACITE
METALLIC

SKU #	DESCRIPTION	LINER	COLOR	GALLONS	WEIGHT (lbs.)	LENGTH (in.)	WIDTH (in.)	HEIGHT (in.)
FGR12WU500PL	DIMENSION ASH/TRASH WEATHER URN 45L/12G	PLASTIC	BLACK GLOSS W/ ANTHRACITE METALLIC PERF PANELS	12	61.00	13.50	13.50	35.00
FGR12WUSBKPL	DIMENSION ASH/TRASH WEATHER URN 45L/12G	PLASTIC	BLACK GLOSS	12	39.00	13.50	13.50	35.00
FGR18WU500PL	DIMENSION ASH/TRASH WEATHER URN 90L/24G	PLASTIC	BLACK GLOSS W/ ANTHRACITE METALLIC PERF PANELS	24	70.00	18.00	18.00	35.00

BUILD YOUR OWN [▶RUBBERMAIDCOMMERCIAL.COM/CUSTOMIZE](https://www.rubbermaidcommercial.com/customize)

151289 | 123456

©2016 Rubbermaid Commercial Products LLC
8900 Northpointe Executive Park Drive, Huntersville, NC 28078





DIMENSION

HINGED TOP

The Dimension decorative refuse container's solid or perforated steel panels create an upscale, dimensional look that complements contemporary outdoor environments.

FEATURES AND BENEFITS:

FEATURES

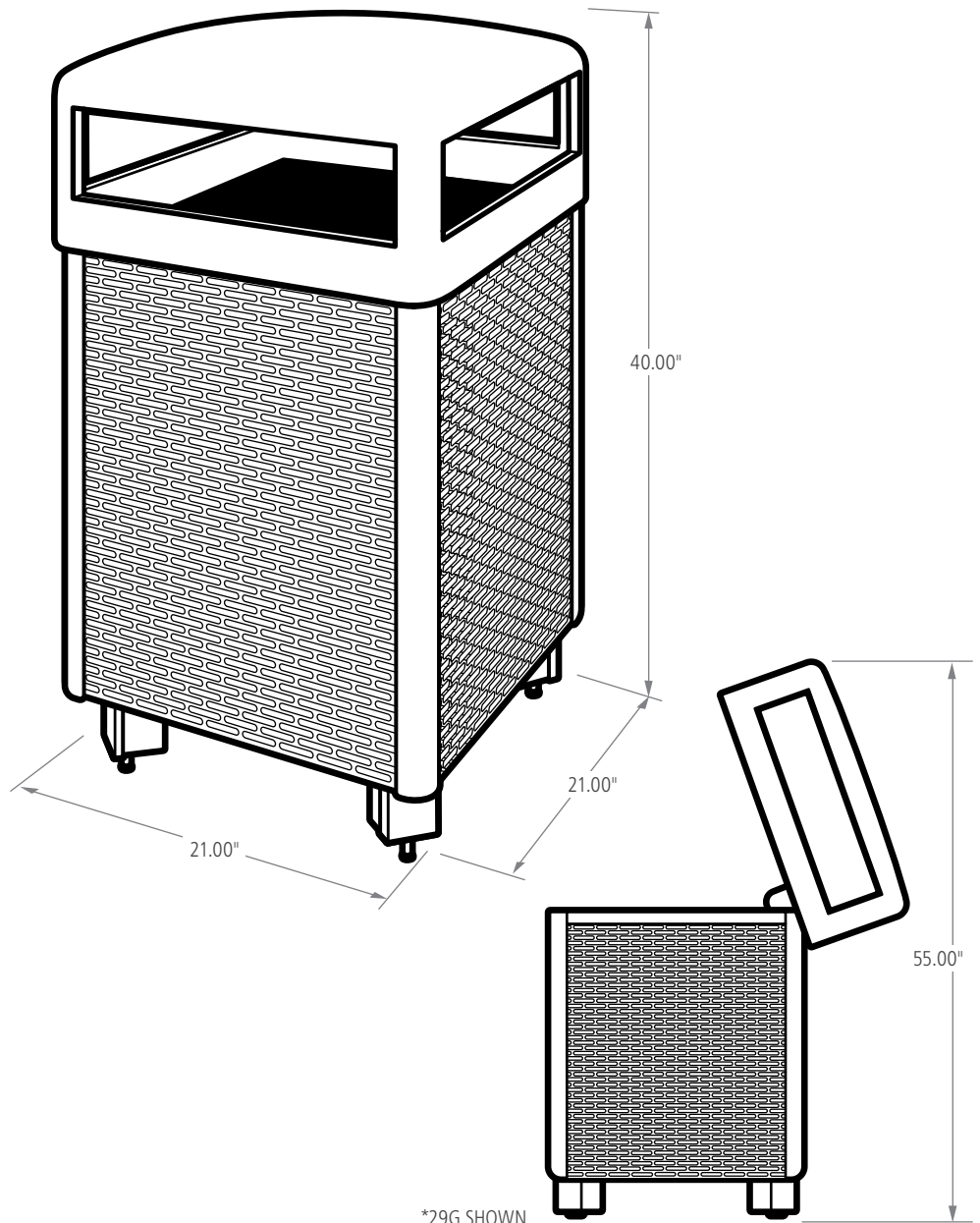
- ▶ Hinged lid enables easy waste removal
- ▶ Heavy-gauge, fire-safe galvanized steel
- ▶ Leak-proof rigid plastic liner included to help contain liquids and keep the surrounding area cleaner
- ▶ Durable powder coat finish withstands severe weather and resists fading even when exposed to harsh UV rays
- ▶ Adjustable leg levelers create stability on uneven surfaces
- ▶ Shipped fully assembled

ACCESSORIES

- ▶ Anchoring kits available to secure receptacle in place
- ▶ Factory-installed lid locks



ADA COMPLIANT



GALLONS	LENGTH (in.)	WIDTH (in.)	HEIGHT (in.)	OPEN HEIGHT (in.)
29G* (SHOWN)	21.00	21.00	40.00	55.00
38G	26.00	26.00	40.00	55.00
48G	26.00	26.00	40.00	55.00

SiteFurnishings.Indoff.com
 (844) 433-9610
 Allen Peterson

build your own ▶ rubbermaidcommercial.com/customize



DIMENSION

HINGED TOP

STANDARD COLOR OPTIONS



BLACK
GLOSS



ANTHRACITE
METALLIC

SKU #	DESCRIPTION	LINER	COLOR	GALLONS	WEIGHT (lbs.)	LENGTH (in.)	WIDTH (in.)	HEIGHT (in.)
FGR36HT500PL	DIMENSION HINGED TOP 109L/29G	PLASTIC	BLACK GLOSS W/ ANTHRACITE METALLIC PERF PANELS	29	90.00	21.00	21.00	40.00
FGR36HTSBKPL	DIMENSION HINGED TOP 109L/29G	PLASTIC	BLACK GLOSS	29	90.00	21.00	21.00	40.00
FGR38HT500PL	DIMENSION HINGED TOP 143L/38G	PLASTIC	BLACK GLOSS W/ ANTHRACITE METALLIC PERF PANELS	38	125.00	26.00	26.00	40.00
FGR38HTSBKPL	DIMENSION HINGED TOP 143L/38G	PLASTIC	BLACK GLOSS	38	125.00	26.00	26.00	40.00
FGR48HTSBKPL	DIMENSION HINGED TOP 181L/48G	PLASTIC	BLACK GLOSS	48	130.00	26.00	26.00	40.00
FGR48HT500PL	DIMENSION HINGED TOP 181L/48G	PLASTIC	BLACK GLOSS W/ ANTHRACITE METALLIC PERF PANELS	48	130.00	26.00	26.00	40.00

BUILD YOUR OWN ► RUBBERMAIDCOMMERCIAL.COM/CUSTOMIZE





DIMENSION

HINGED TOP WITH WEATHER SHIELD

The Dimension decorative refuse container's solid or perforated steel panels create an upscale, dimensional look that complements contemporary outdoor environments.

FEATURES AND BENEFITS:

FEATURES

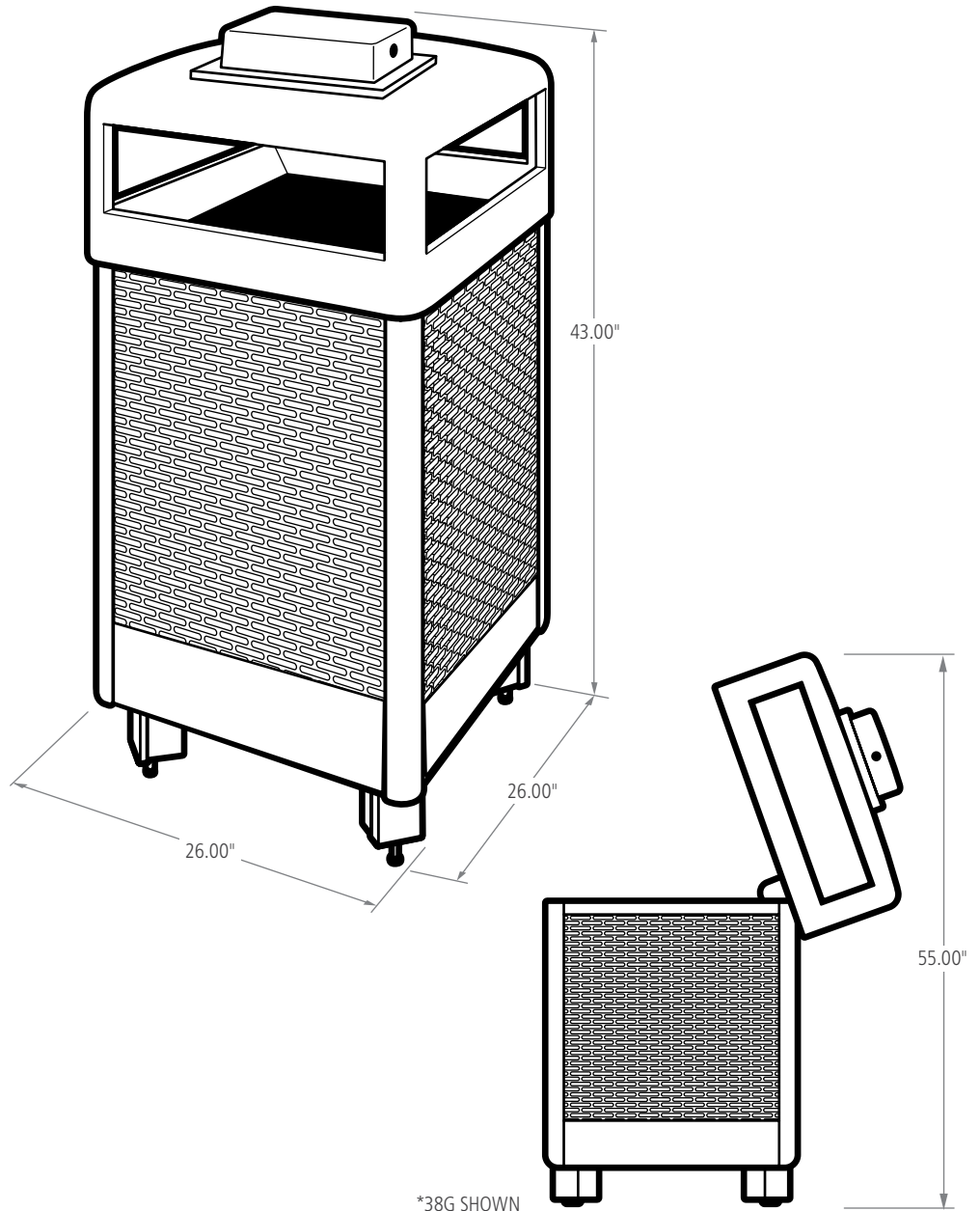
- ▶ Hinged lid enables easy waste removal
- ▶ Heavy-gauge, fire-safe galvanized steel
- ▶ Leak-proof rigid plastic liner included to help contain liquids and keep the surrounding area cleaner
- ▶ Durable powder coat finish withstands severe weather and resists fading even when exposed to harsh UV rays
- ▶ Adjustable leg levelers create stability on uneven surfaces
- ▶ Shipped fully assembled

ACCESSORIES

- ▶ Anchoring kits available to secure receptacle in place
- ▶ Factory-installed lid locks



ADA COMPLIANT



*38G SHOWN

GALLONS	LENGTH (in.)	WIDTH (in.)	HEIGHT (in.)	OPEN HEIGHT (in.)
29G	21.00	21.00	43.00	55.00
38G* (SHOWN)	26.00	26.00	43.00	55.00
48G	26.00	26.00	43.00	55.00

SiteFurnishings.Indoff.com
 (844) 433-9610
 Allen Peterson

build your own ▶ rubbermaidcommercial.com/customize



DIMENSION

HINGED TOP WITH WEATHER SHIELD

STANDARD COLOR OPTIONS



BLACK GLOSS



ANTHRACITE METALLIC

SKU #	DESCRIPTION	LINER	COLOR	GALLONS	WEIGHT (lbs.)	LENGTH (in.)	WIDTH (in.)	HEIGHT (in.)
FGR36HTWUSBKPL	DIMENSION HINGED TOP WEATHER URN 109L/29G	PLASTIC	BLACK GLOSS	29	93.00	21.00	21.00	43.00
FGR36HTWU500PL	DIMENSION HINGED TOP WEATHER URN 109L/29G	PLASTIC	BLACK GLOSS W/ ANTHRACITE METALLIC PERF PANELS	29	93.00	21.00	21.00	43.00
FGR38HTWU500PL	DIMENSION HINGED TOP WEATHER URN 143L/38G	PLASTIC	BLACK GLOSS W/ ANTHRACITE METALLIC PERF PANELS	38	128.00	26.00	26.00	43.00
FGR38HTWUSBKPL	DIMENSION HINGED TOP WEATHER URN 143L/38G	PLASTIC	BLACK GLOSS	38	128.00	26.00	26.00	43.00
FGR48HTWU500PL	DIMENSION HINGED TOP WEATHER URN 181L/48G	PLASTIC	BLACK GLOSS W/ ANTHRACITE METALLIC PERF PANELS	48	130.00	26.00	26.00	43.00
FGR48HTWUSBKPL	DIMENSION HINGED TOP WEATHER URN 181L/48G	PLASTIC	BLACK GLOSS	48	130.00	26.00	26.00	43.00

BUILD YOUR OWN ► RUBBERMAIDCOMMERCIAL.COM/CUSTOMIZE





DIMENSION

SAND URN

The Dimension decorative refuse container's solid or perforated steel panels create an upscale, dimensional look that complements contemporary outdoor environments.

FEATURES AND BENEFITS:

FEATURES

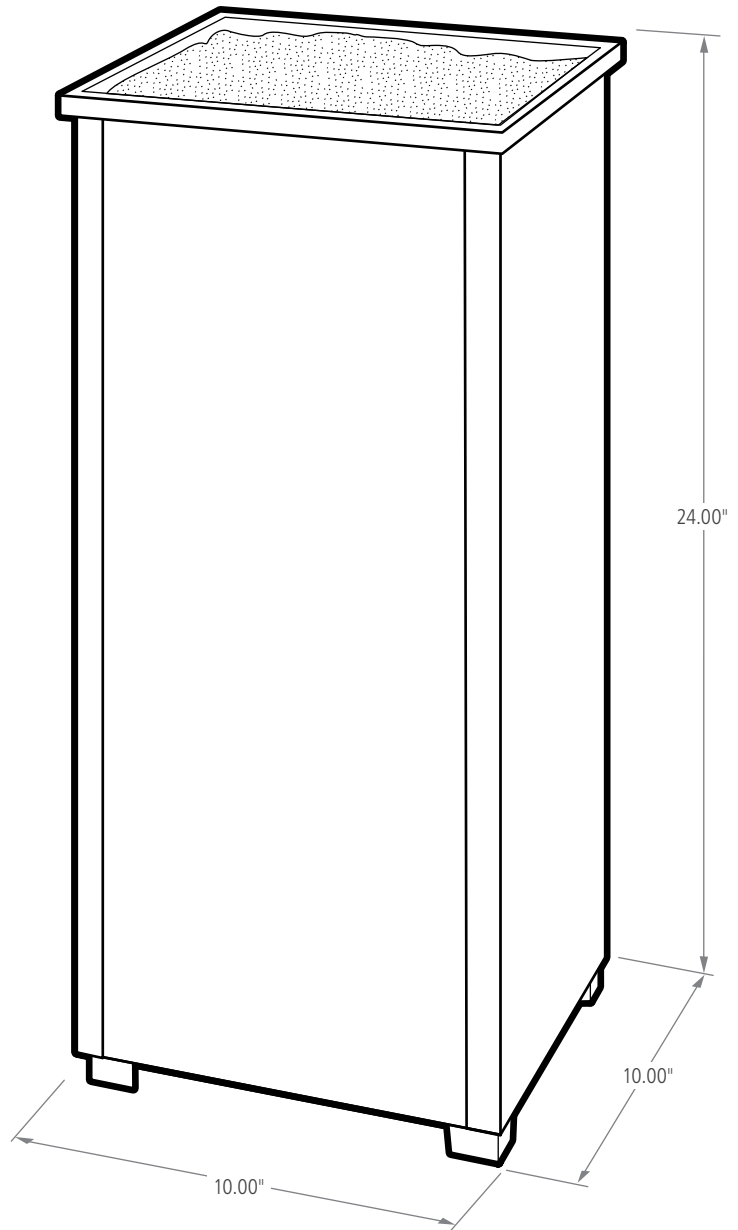
- ▶ Sand pan can be removed from the Sand Urn style for easy cleaning and waste disposal
- ▶ Heavy-gauge, fire-safe galvanized steel
- ▶ Durable powder coat finish withstands severe weather and resists fading even when exposed to harsh UV rays
- ▶ Adjustable leg levelers create stability on uneven surfaces
- ▶ Shipped fully assembled

ACCESSORIES

- ▶ Anchoring kits available to secure receptacle in place
- ▶ Factory-installed lid locks



ADA COMPLIANT



GALLONS	LENGTH (in.)	WIDTH (in.)	HEIGHT (in.)
N/A	10.00	10.00	24.00

SiteFurnishings.Indoff.com
 (844) 433-9610
 Allen Peterson

build your own ▶ rubbermaidcommercial.com/customize



DIMENSION

SAND URN

▶ STANDARD COLOR OPTIONS



BLACK
GLOSS

SKU #	DESCRIPTION	LINER	COLOR	GALLONS	WEIGHT (lbs.)	LENGTH (in.)	WIDTH (in.)	HEIGHT (in.)
FGR40SBK	DIMENSION SAND URN	N/A	BLACK GLOSS	N/A	28.00	10.00	10.00	24.00

BUILD YOUR OWN ▶ [RUBBERMAIDCOMMERCIAL.COM/CUSTOMIZE](https://www.rubbermaidcommercial.com/customize)





DIMENSION

SAND URN WITH WEATHER SHIELD

The Dimension decorative refuse container's solid or perforated steel panels create an upscale, dimensional look that complements contemporary outdoor environments.

FEATURES AND BENEFITS:

FEATURES

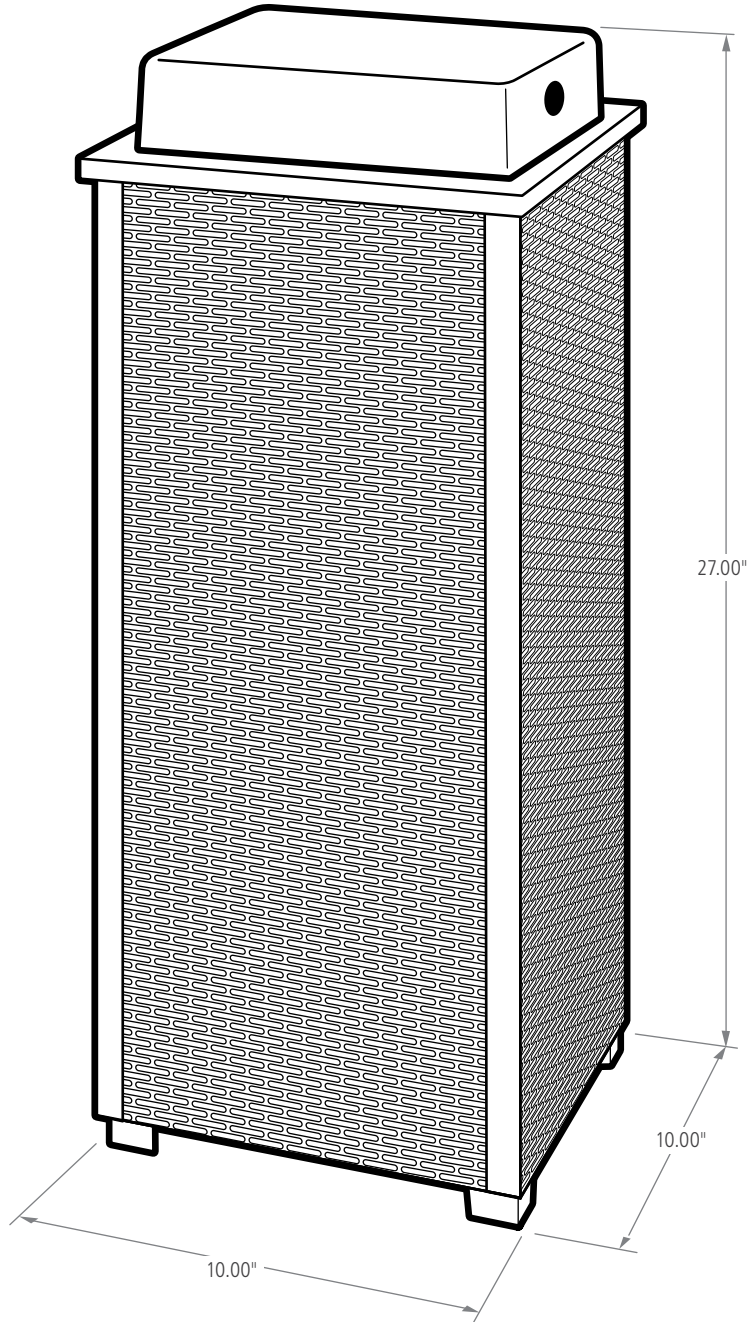
- ▶ Sand pan can be removed from the Sand Urn style for easy cleaning and waste disposal
- ▶ Heavy-gauge, fire-safe galvanized steel
- ▶ Leak-proof rigid plastic liner included to help contain liquids and keep the surrounding area cleaner
- ▶ Durable powder coat finish withstands severe weather and resists fading even when exposed to harsh UV rays
- ▶ Adjustable leg levelers create stability on uneven surfaces
- ▶ Shipped fully assembled

ACCESSORIES

- ▶ Anchoring kits available to secure receptacle in place
- ▶ Factory-installed lid locks



ADA COMPLIANT



GALLONS	LENGTH (in.)	WIDTH (in.)	HEIGHT (in.)
N/A	10.00	10.00	27.00

SiteFurnishings.Indoff.com
 (844) 433-9610
 Allen Peterson

build your own ▶ rubbermaidcommercial.com/customize



DIMENSION

SAND URN WITH WEATHER SHIELD

STANDARD COLOR OPTIONS



SKU #	DESCRIPTION	LINER	COLOR	GALLONS	WEIGHT (lbs.)	LENGTH (in.)	WIDTH (in.)	HEIGHT (in.)
FGR40WU500	DIMENSION SAND URN WITH WEATHER SHIELD	N/A	BLACK GLOSS W/ ANTHRACITE METALLIC PERF PANELS	N/A	28.00	10.00	10.00	27.00
FGR40WUSBK	DIMENSION SAND URN WITH WEATHER SHIELD	N/A	BLACK GLOSS	N/A	28.00	10.00	10.00	27.00

BUILD YOUR OWN [▶RUBBERMAIDCOMMERCIAL.COM/CUSTOMIZE](https://www.rubbermaidcommercial.com/customize)





DIMENSION

ASH/TRASH WITH ROUND OPENING

The Dimension decorative refuse container's solid or perforated steel panels create an upscale, dimensional look that complements contemporary outdoor environments.

FEATURES AND BENEFITS:

FEATURES

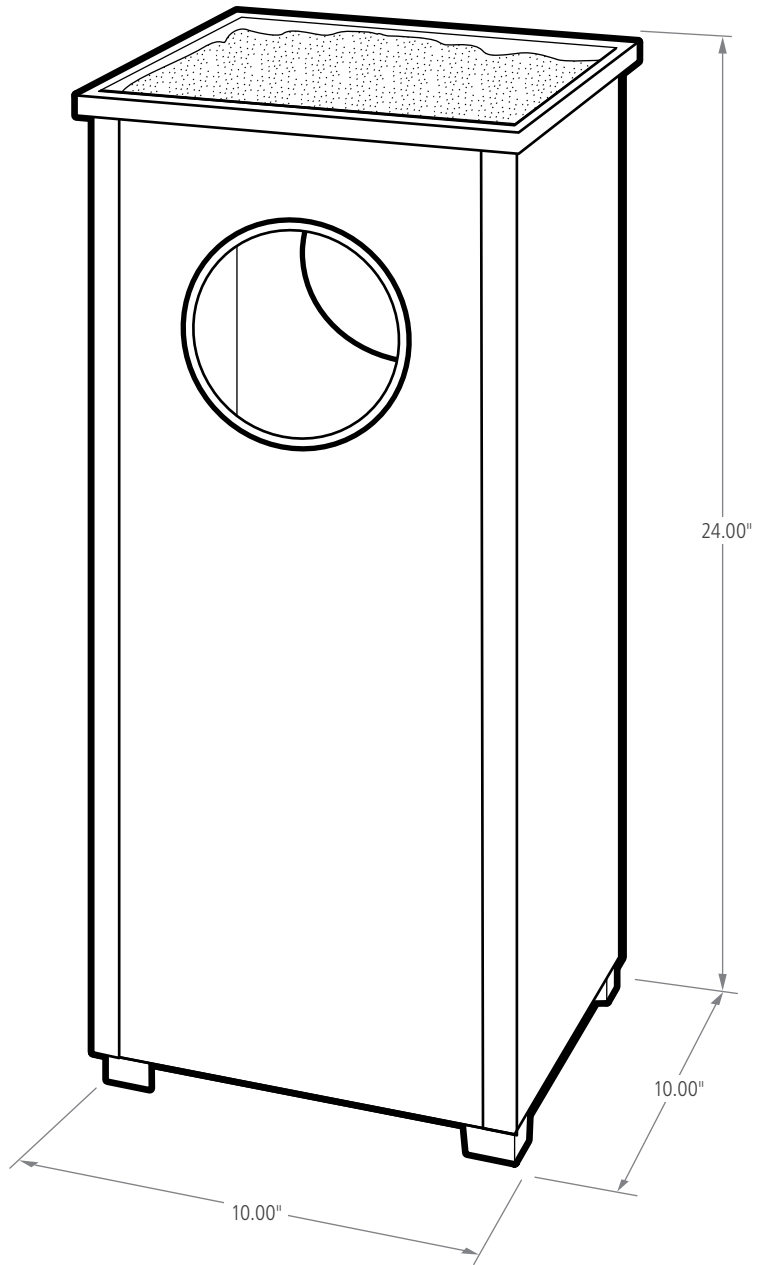
- ▶ Sand pan can be removed from the Ash/Trash style for easy cleaning and waste disposal
- ▶ Heavy-gauge, fire-safe galvanized steel
- ▶ Leak-proof rigid plastic liner included to help contain liquids and keep the surrounding area cleaner
- ▶ Durable powder coat finish withstands severe weather and resists fading even when exposed to harsh UV rays
- ▶ Adjustable leg levelers create stability on uneven surfaces
- ▶ Shipped fully assembled

ACCESSORIES

- ▶ Anchoring kits available to secure receptacle in place
- ▶ Factory-installed lid locks



ADA COMPLIANT



GALLONS	LENGTH (in.)	WIDTH (in.)	HEIGHT (in.)
2.5G	10.00	10.00	24.00

SiteFurnishings.Indoff.com
 (844) 433-9610
 Allen Peterson

build your own ▶ rubbermaidcommercial.com/customize



DIMENSION

ASH/TRASH WITH ROUND OPENING

▶ STANDARD COLOR OPTIONS



BLACK
GLOSS

SKU #	DESCRIPTION	LINER	COLOR	GALLONS	WEIGHT (lbs.)	LENGTH (in.)	WIDTH (in.)	HEIGHT (in.)
FGR41SBKPL	DIMENSION ASH/TRASH 9L/2.5G	PLASTIC	BLACK GLOSS	2.5	28.00	10.00	10.00	24.00

BUILD YOUR OWN ▶ [RUBBERMAIDCOMMERCIAL.COM/CUSTOMIZE](https://www.rubbermaidcommercial.com/customize)





DIMENSION

ASH/TRASH WITH ROUND OPENING AND WEATHER SHIELD

The Dimension decorative refuse container's solid or perforated steel panels create an upscale, dimensional look that complements contemporary outdoor environments.

FEATURES AND BENEFITS:

FEATURES

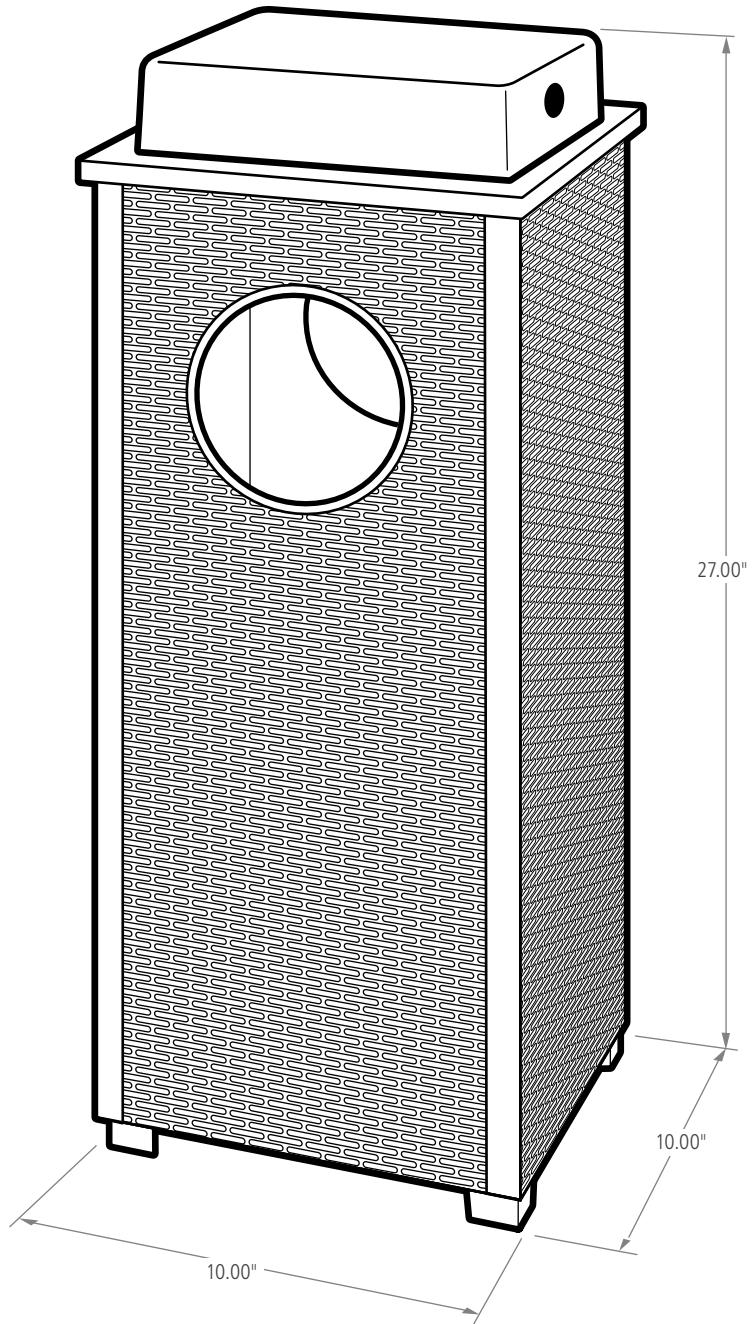
- ▶ Sand pan can be removed from the Ash/Trash style for easy cleaning and waste disposal
- ▶ Heavy-gauge, fire-safe galvanized steel
- ▶ Leak-proof rigid plastic liner included to help contain liquids and keep the surrounding area cleaner
- ▶ Durable powder coat finish withstands severe weather and resists fading even when exposed to harsh UV rays
- ▶ Adjustable leg levelers create stability on uneven surfaces
- ▶ Shipped fully assembled

ACCESSORIES

- ▶ Anchoring kits available to secure receptacle in place
- ▶ Factory-installed lid locks



ADA COMPLIANT



GALLONS	LENGTH (in.)	WIDTH (in.)	HEIGHT (in.)
2.5G	10.00	10.00	27.00

SiteFurnishings.Indoff.com
(844) 433-9610
Allen Peterson

build your own ▶ rubbermaidcommercial.com/customize



DIMENSION

ASH/TRASH WITH ROUND OPENING AND WEATHER SHIELD

▶ STANDARD COLOR OPTIONS



SKU #	DESCRIPTION	LINER	COLOR	GALLONS	WEIGHT (lbs.)	LENGTH (in.)	WIDTH (in.)	HEIGHT (in.)
FGR41WU500PL	DIMENSION ASH/TRASH WEATHER URN 9L/2.5G	N/A	BLACK GLOSS W/ ANTHRACITE METALLIC PERF PANELS	2.5	31.00	10.00	10.00	27.00
FGR41WUSBKPL	DIMENSION ASH/TRASH WEATHER URN 9L/2.5G	N/A	BLACK GLOSS	2.5	31.00	10.00	10.00	27.00

BUILD YOUR OWN ▶ RUBBERMAIDCOMMERCIAL.COM/CUSTOMIZE

