



DEFENDERS®

ROUND

The Defenders® decorative refuse container is an ideal indoor waste receptacle for hospitals, doctors' offices, and other healthcare facilities. The step-on foot pedal enables hands-free operation, optimizing sanitary efforts.

FEATURES AND BENEFITS:

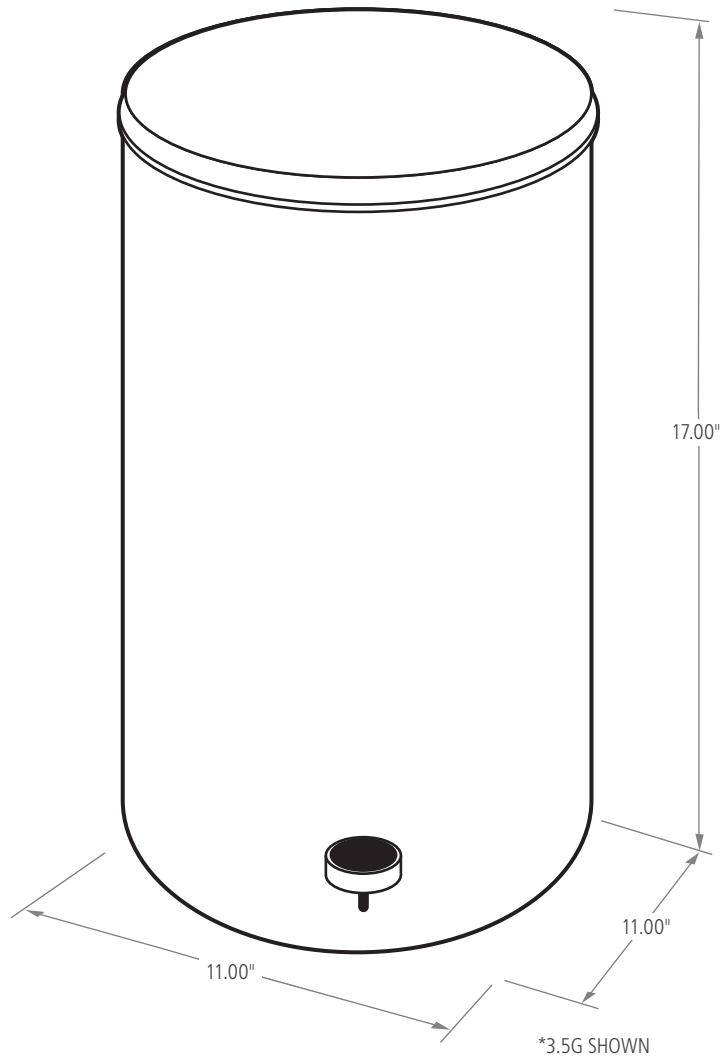
FEATURES

- ▶ Heavy-gauge, fire-safe steel
- ▶ Leak-proof rigid plastic liner included to contain liquids and keep the surrounding area cleaner
- ▶ Retainer bands discreetly hold liner bags in place and out of sight
- ▶ Restraint mechanism protects walls
- ▶ Optional dampened-controlled lid for quiet operation
- ▶ Shipped fully assembled



OSHA

CSFM



SiteFurnishings.Indoff.com

(844)433-9610

Allen Peterson

GALLONS	LENGTH (in.)	WIDTH (in.)	HEIGHT (in.)
3.5G* (SHOWN)	11.00	11.00	17.00
5G	11.00	11.00	22.00

build your own ▶ rubbermaidcommercial.com/customize



DEFENDERS®

ROUND

STANDARD COLOR OPTIONS



SKU #	DESCRIPTION	LINER	COLOR	GALLONS	WEIGHT (lbs.)	LENGTH (in.)	WIDTH (in.)	HEIGHT (in.)
FGST35EGLRD	DEFENDERS RND STEP CAN 13L/3.5G	METAL	RED GLOSS	3.5	8.00	11.00	11.00	17.00
FGST35EGLWH	DEFENDERS RND STEP CAN 13L/3.5G	METAL	SKY WHITE GLOSS	3.5	8.00	11.00	11.00	17.00
FGST35EPLRD	DEFENDERS RND STEP CAN 13L/3.5G	PLASTIC	RED GLOSS	3.5	8.00	11.00	11.00	17.00
FGST35EPLWH	DEFENDERS RND STEP CAN 13L/3.5G	PLASTIC	SKY WHITE GLOSS	3.5	8.00	11.00	11.00	17.00
FGST35SSGL	DEFENDERS RND STEP CAN 13L/3.5G	METAL	STAINLESS STEEL	3.5	8.00	11.00	11.00	17.00
FGST35SSPL	DEFENDERS RND STEP CAN 13L/3.5G	PLASTIC	STAINLESS STEEL	3.5	8.00	11.00	11.00	17.00
FGST5EGLRD	DEFENDERS RND STEP CAN 18L/5G	METAL	RED GLOSS	5	10.00	11.00	11.00	22.00
FGST5EGLWH	DEFENDERS RND STEP CAN 18L/5G	METAL	SKY WHITE GLOSS	5	10.00	11.00	11.00	22.00

BUILD YOUR OWN [▶RUBBERMAIDCOMMERCIAL.COM/CUSTOMIZE](http://RUBBERMAIDCOMMERCIAL.COM/CUSTOMIZE)

SiteFurnishings.Indoff.com
 (844)433-9610
 Allen Peterson





DEFENDERS®

SQUARE

The Defenders® decorative refuse container is an ideal indoor waste receptacle for hospitals, doctors' offices and other healthcare facilities. The step-on foot pedal enables hands-free operation, optimizing sanitary efforts.

FEATURES AND BENEFITS:

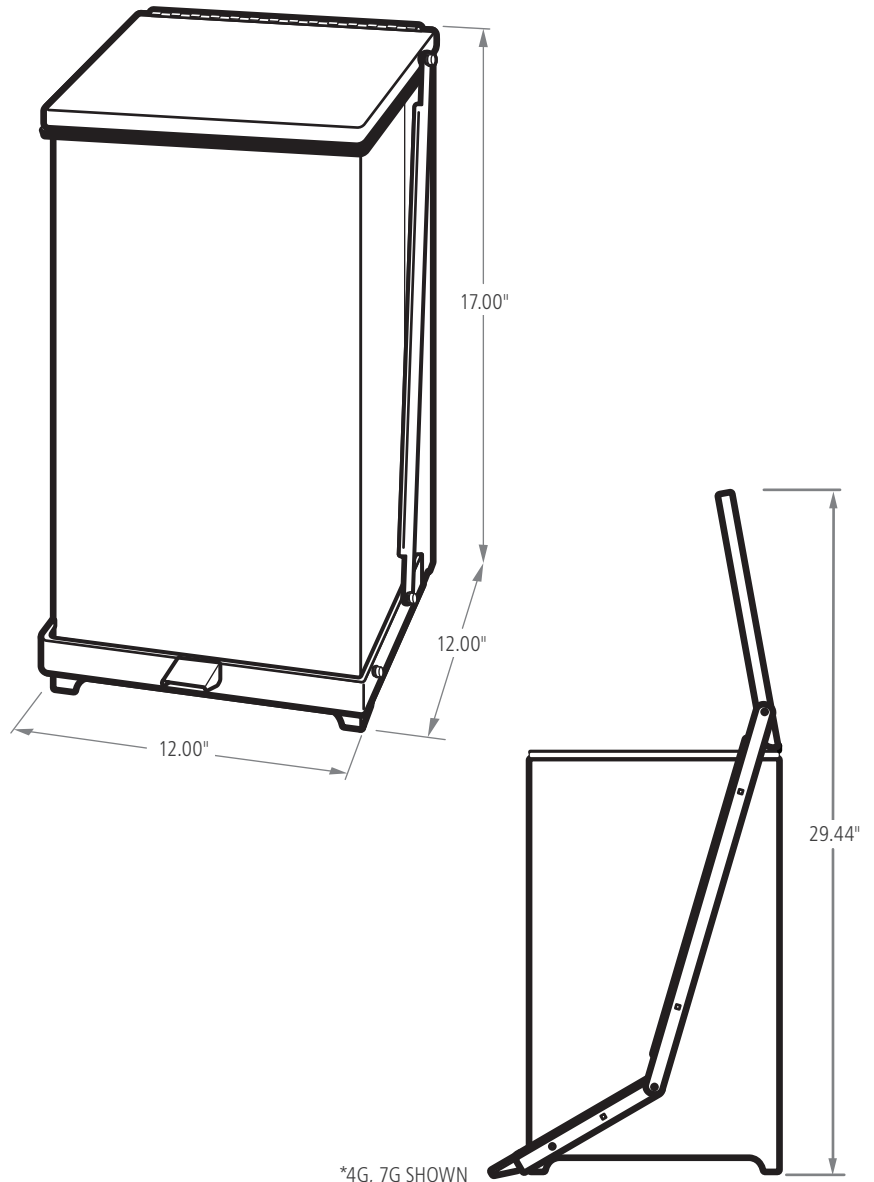
FEATURES

- ▶ Heavy-gauge, fire-safe steel
- ▶ Leak-proof rigid plastic liner included to contain liquids and keep the surrounding area cleaner
- ▶ Retainer bands discreetly hold liner bags in place and out of sight
- ▶ Restraint mechanism protects walls
- ▶ Optional dampened-controlled lid for quiet operation
- ▶ Shipped fully assembled



OSHA

CSFM



*4G, 7G SHOWN

GALLONS	LENGTH (in.)	WIDTH (in.)	HEIGHT (in.)	OPEN HEIGHT (IN.)
4G, 7G* (SHOWN)	12.00	12.00	17.00	29.44
6.5G, 12G	12.00	12.00	23.00	35.44
13G, 24G	15.00	15.00	30.00	44.88
25G, 40G	19.00	19.00	30.00	48.78

SiteFurnishings.Indoff.com

(844) 433-9610

Allen Peterson

build your own ▶ rubbermaidcommercial.com/customize



DEFENDERS®

SQUARE

STANDARD COLOR OPTIONS



SKU #	DESCRIPTION	LINER	COLOR	GALLONS	WEIGHT (lbs.)	LENGTH (in.)	WIDTH (in.)	HEIGHT (in.)
FGQST7EPLWH	DEFENDERS SQ QUIET STEP CAN 15L/4G	PLASTIC	SKY WHITE GLOSS	4	19	12	12	17
FGQST7SSPL	DEFENDERS SQ QUIET STEP CAN 15L/4G	PLASTIC	STAINLESS STEEL	4	19	12	12	17
FGQST7EPLRD	DEFENDERS SQ QUIET STEP CAN 15L/4G	PLASTIC	RED GLOSS	4	19	12	12	17
FGST7EPLWH	DEFENDERS SQ STEP CAN 15L/4G	PLASTIC	SKY WHITE GLOSS	4	19	12	12	17
FGST7SSPL	DEFENDERS SQ STEP CAN 15L/4G	PLASTIC	STAINLESS STEEL	4	19	12	12	17
FGST7EPLRD	DEFENDERS SQ STEP CAN 15L/4G	PLASTIC	RED GLOSS	4	19	12	12	17
FGQST12EPLWH	DEFENDERS SQ QUIET STEP CAN 25L/6.5G	PLASTIC	SKY WHITE GLOSS	6.5	23	12	12	23
FGQST12SSPL	DEFENDERS SQ QUIET STEP CAN 25L/6.5G	PLASTIC	STAINLESS STEEL	6.5	23	12	12	23
FGQST12EPLRD	DEFENDERS SQ QUIET STEP CAN 25L/6.5G	PLASTIC	RED GLOSS	6.5	23	12	12	23
FGST12EPLWH	DEFENDERS SQ STEP CAN 25L/6.5G	PLASTIC	SKY WHITE GLOSS	6.5	23	12	12	23
FGST12SSPL	DEFENDERS SQ STEP CAN 25L/6.5G	PLASTIC	STAINLESS STEEL	6.5	23	12	12	23
FGST12EPLRD	DEFENDERS SQ STEP CAN 25L/6.5G	PLASTIC	RED GLOSS	6.5	23	12	12	23
FGQST7ERBWH	DEFENDERS SQ QUIET STEP CAN 27L/7G	RETAINER BANDS	SKY WHITE GLOSS	7	16	12	12	17
FGQST7SSRB	DEFENDERS SQ QUIET STEP CAN 27L/7G	RETAINER BANDS	STAINLESS STEEL	7	16	12	12	17
FGQST7ERBRD	DEFENDERS SQ QUIET STEP CAN 27L/7G	RETAINER BANDS	RED GLOSS	7	16	12	12	17
FGST7ERBWH	DEFENDERS SQ STEP CAN 27L/7G	RETAINER BANDS	SKY WHITE GLOSS	7	16	12	12	17
FGST7SSRB	DEFENDERS SQ STEP CAN 27L/7G	RETAINER BANDS	STAINLESS STEEL	7	16	12	12	17
FGST7ERBRD	DEFENDERS SQ STEP CAN 27L/7G	RETAINER BANDS	RED GLOSS	7	16	12	12	17
FGQST12ERBWH	DEFENDERS SQ QUIET STEP CAN 45L/12G	RETAINER BANDS	SKY WHITE GLOSS	12	20	12	12	23
FGQST12SSRB	DEFENDERS SQ QUIET STEP CAN 45L/12G	RETAINER BANDS	STAINLESS STEEL	12	20	12	12	23
FGQST12ERBRD	DEFENDERS SQ QUIET STEP CAN 45L/12G	RETAINER BANDS	RED GLOSS	12	20	12	12	23
FGST12ERBWH	DEFENDERS SQ STEP CAN 45L/12G	RETAINER BANDS	SKY WHITE GLOSS	12	20	12	12	23
FGST12SSRB	DEFENDERS SQ STEP CAN 45L/12G	RETAINER BANDS	STAINLESS STEEL	12	20	12	12	23
FGST12ERBRD	DEFENDERS SQ STEP CAN 45L/12G	RETAINER BANDS	RED GLOSS	12	20	12	12	23
FGQST24EPLWH	DEFENDERS SQ QUIET STEP CAN 49L/13G	PLASTIC	SKY WHITE GLOSS	13	35	15	15	30
FGQST24SSPL	DEFENDERS SQ QUIET STEP CAN 49L/13G	PLASTIC	STAINLESS STEEL	13	35	15	15	30
FGQST24EPLRD	DEFENDERS SQ QUIET STEP CAN 49L/13G	PLASTIC	RED GLOSS	13	35	15	15	30
FGST24EPLWH	DEFENDERS SQ STEP CAN 49L/13G	RETAINER BANDS	SKY WHITE GLOSS	13	32	15	15	30
FGST24SSPL	DEFENDERS SQ STEP CAN 49L/13G	PLASTIC	STAINLESS STEEL	13	32	15	15	30
FGST24EPLRD	DEFENDERS SQ STEP CAN 49L/13G	PLASTIC	RED GLOSS	13	32	15	15	30
FGQST24ERBWH	DEFENDERS SQ QUIET STEP CAN 91L/24G	RETAINER BANDS	SKY WHITE GLOSS	24	29	15	15	30
FGQST24SSRB	DEFENDERS SQ QUIET STEP CAN 91L/24G	RETAINER BANDS	STAINLESS STEEL	24	29	15	15	30
FGQST24ERBRD	DEFENDERS SQ QUIET STEP CAN 91L/24G	RETAINER BANDS	RED GLOSS	24	29	15	15	30
FGST24ERBWH	DEFENDERS SQ STEP CAN 91L/24G	RETAINER BANDS	SKY WHITE GLOSS	24	29	15	15	30
FGST24SSRB	DEFENDERS SQ STEP CAN 91L/24G	RETAINER BANDS	STAINLESS STEEL	24	29	15	15	30
FGST24ERBRD	DEFENDERS SQ STEP CAN 91L/24G	RETAINER BANDS	RED GLOSS	24	29	15	15	30
FGQST40EPLWH	DEFENDERS SQ QUIET STEP CAN 95L/25G	PLASTIC	SKY WHITE GLOSS	25	46	19	19	30
FGQST40SSPL	DEFENDERS SQ QUIET STEP CAN 95L/25G	PLASTIC	STAINLESS STEEL	25	46	19	19	30
FGQST40EPLRD	DEFENDERS SQ QUIET STEP CAN 95L/25G	PLASTIC	RED GLOSS	25	46	19	19	30
FGST40EPLWH	DEFENDERS SQ STEP CAN 95L/25G	PLASTIC	SKY WHITE GLOSS	25	46	19	19	30
FGST40SSPL	DEFENDERS SQ STEP CAN 95L/25G	PLASTIC	STAINLESS STEEL	25	46	19	19	30
FGST40EPLRD	DEFENDERS SQ STEP CAN 95L/25G	PLASTIC	RED GLOSS	25	46	19	19	30
FGQST40ERBWH	DEFENDERS SQ QUIET STEP CAN 151L/40G	RETAINER BANDS	SKY WHITE GLOSS	40	37	19	19	30
FGQST40SSRB	DEFENDERS SQ QUIET STEP CAN 151L/40G	RETAINER BANDS	STAINLESS STEEL	40	37	19	19	30
FGQST40ERBRD	DEFENDERS SQ QUIET STEP CAN 151L/40G	RETAINER BANDS	RED GLOSS	40	37	19	19	30
FGST40ERBWH	DEFENDERS SQ STEP CAN 151L/40G	RETAINER BANDS	SKY WHITE GLOSS	40	37	19	19	30
FGST40SSRB	DEFENDERS SQ STEP CAN 151L/40G	RETAINER BANDS	STAINLESS STEEL	40	37	19	19	30
FGST40ERBRD	DEFENDERS SQ STEP CAN 151L/40G	RETAINER BANDS	RED GLOSS	40	37	19	19	30

BUILD YOUR OWN ► RUBBERMAIDCOMMERCIAL.COM/CUSTOMIZE





DEFENDERS®

SQUARE WITH WHEELS

The Defenders® decorative refuse container is an ideal indoor waste receptacle for hospitals, doctors' offices, and other healthcare facilities. The step-on foot pedal enables hands-free operation, optimizing sanitary efforts.

FEATURES AND BENEFITS:

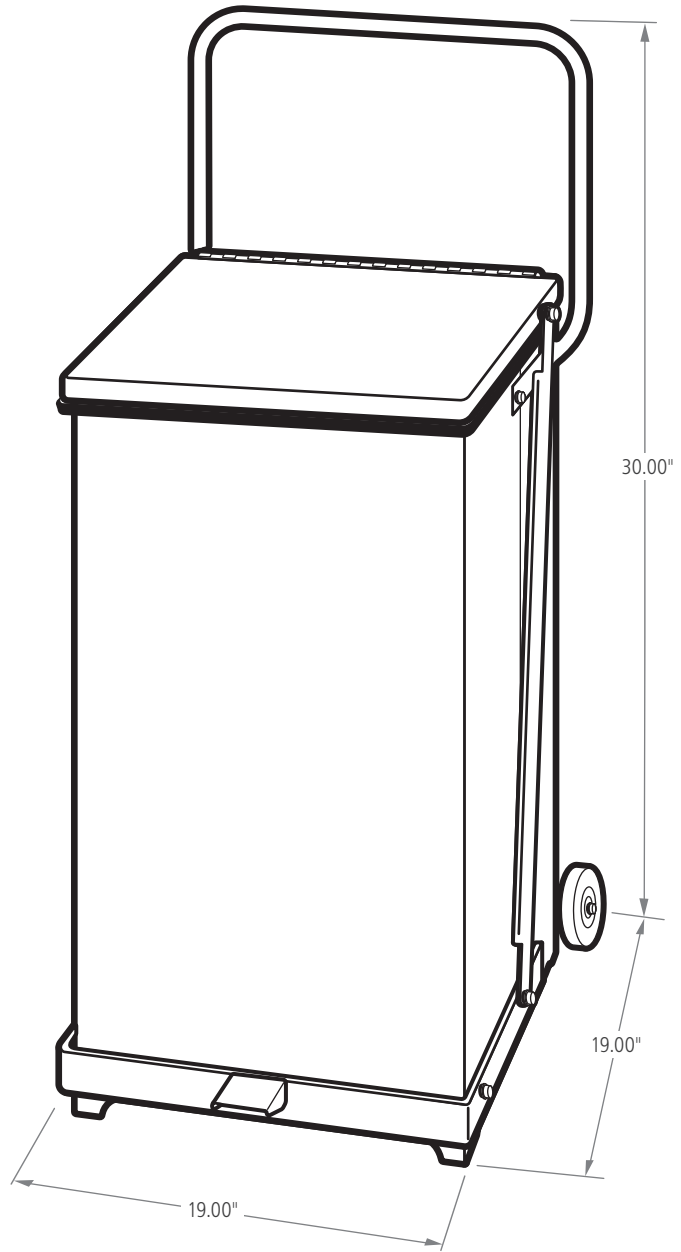
FEATURES

- ▶ Heavy-gauge, fire-safe steel
- ▶ Leak-proof rigid plastic liner included to contain liquids and keep the surrounding area cleaner
- ▶ Retainer bands discreetly hold liner bags in place and out of sight
- ▶ Restraint mechanism protects walls
- ▶ Optional dampened-controlled lid for quiet operation
- ▶ Shipped fully assembled



OSHA

CSFM



GALLONS	LENGTH (in.)	WIDTH (in.)	HEIGHT (in.)
25G	19.00	19.00	30.00
40G	19.00	19.00	30.00

SiteFurnishings.Indoff.com
(844)433-9610
Allen Peterson

build your own ▶ rubbermaidcommercial.com/customize



DEFENDERS®

SQUARE WITH WHEELS

STANDARD COLOR OPTIONS



SKU #	DESCRIPTION	LINER	COLOR	GALLONS	WEIGHT (lbs.)	LENGTH (in.)	WIDTH (in.)	HEIGHT (in.)
FGQST40EWPLWH	DEFENDERS SQ QUIET STEP CAN WITH WHLS 95L/25G	PLASTIC	SKY WHITE GLOSS	25	50.00	19.00	19.00	30.00
FGQST40EWPLRD	DEFENDERS SQ QUIET STEP CAN WITH WHLS 95L/25G	PLASTIC	RED GLOSS	25	50.00	19.00	19.00	30.00
FGQST40SWPL	DEFENDERS SQ QUIET STEP CAN WITH WHLS 95L/25G	RETAINER BANDS	STAINLESS STEEL	25	51.00	19.00	19.00	30.00
FGST40EWPLWH	DEFENDERS SQ STEP CAN WITH WHLS 95L/25G	RETAINER BANDS	SKY WHITE GLOSS	25	50.00	19.00	19.00	30.00
FGST40SWPL	DEFENDERS SQ STEP CAN WITH WHLS 95L/25G	RETAINER BANDS	STAINLESS STEEL	25	51.00	19.00	19.00	30.00
FGST40EWPLRD	DEFENDERS SQ STEP CAN WITH WHLS 95L/25G	RETAINER BANDS	RED GLOSS	25	50.00	19.00	19.00	30.00
FGQST40EWRBWH	DEFENDERS SQ QUIET STEP CAN WITH WHLS 151L/40G	RETAINER BANDS	SKY WHITE GLOSS	40	41.00	19.00	19.00	30.00
FGQST40SWRB	DEFENDERS SQ QUIET STEP CAN WITH WHLS 151L/40G	RETAINER BANDS	STAINLESS STEEL	40	44.00	19.00	19.00	30.00
FGQST40EWRBRD	DEFENDERS SQ QUIET STEP CAN WITH WHLS 151L/40G	RETAINER BANDS	RED GLOSS	40	41.00	19.00	19.00	30.00
FGST40EWRBWH	DEFENDERS SQ STEP CAN WITH WHLS 151L/40G	RETAINER BANDS	SKY WHITE GLOSS	40	41.00	19.00	19.00	30.00
FGST40SWRB	DEFENDERS SQ STEP CAN WITH WHLS 151L/40G	RETAINER BANDS	STAINLESS STEEL	40	44.00	19.00	19.00	30.00
FGST40EWRBRD	DEFENDERS SQ STEP CAN WITH WHLS 151L/40G	RETAINER BANDS	RED GLOSS	40	41.00	19.00	19.00	30.00

BUILD YOUR OWN ► RUBBERMAIDCOMMERCIAL.COM/CUSTOMIZE

SiteFurnishings.Indoff.com

(844)433-9610

Allen Peterson

