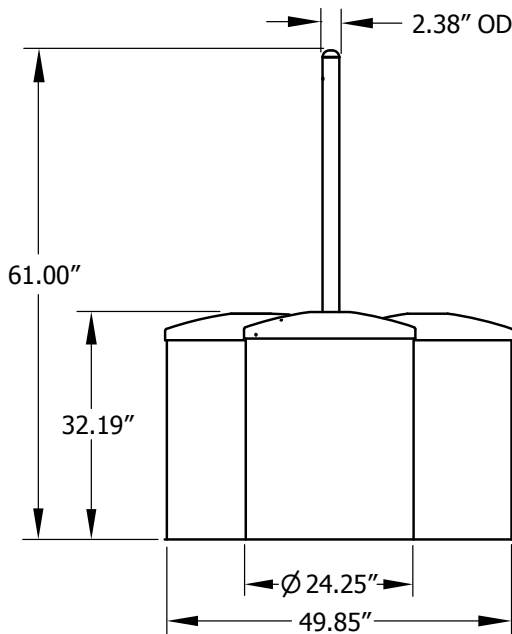




D6014
RALLY TRI-RECYCLING
CENTER
three 32-gallon plastisol coated,
Center post, perforated steel
receptacles with plastic liners, and
spun steel recycling tops



Material

The Rally Tri-Recycler consists of three 32-gallon receptacles which are attached to a pair of brackets which supports a center post. The receptacles are made of 14-gauge perforated steel with a .41" diameter uniform hole pattern. They are protected by Fusion Advantage™, a plastisol coating with an average .125" thickness and a high-gloss powder coat.

The tops are made of 18-gauge spun steel, protected with a powder coat finish and have a 5.05" diameter center opening to help filter recycling materials. The customer has a choice of "CANS ONLY", "PLASTIC ONLY", "GLASS ONLY", or "PAPER ONLY" decals. The graphics are available in black or white depending on the top color. Each top includes a 14" web strap to attach the top to the receptacle. The tops lift off for easy emptying.

The recycling center also features a 61" tall center post with recycling logos to help identify the receptacles as a recycling center. The center post is made of 2.38" O.D. steel tube. The tops, center post, and brackets are protected by a fade resistant powder coat finish featuring a state of the art primer proven to prevent rusting.

The reusable plastic liners are made of black high-density polyethylene.

Finish

Fusion Advantage is a heat fused plastisol coating that creates an impervious rustproof barrier and resists UV deterioration, mildew, staining and fading.

The finish has been tested to the requirements of ASTM E1354 and is determined to be in compliance with California Uniform Fire Code 1103.2.1.4.2.

A state of the art primer is applied to all of the under supports, providing extreme rust fighting protection and durability. Treated components exceed the industry standard by 34% in testing by independant sources.

Color

See website or sales representative for color choices.

Assembly

The recycling center requires some assembly. Attaching the strap to the receptacle body requires some assembly also.

Maintenance

The product is virtually maintenance-free and requires only periodic cleaning with a sponge and a solution of mild detergent and water to remove surface dirt. Do not clean with solvent or petroleum based products.

Replacement Parts

- Black Plastic Liner **F1017**
- Recycling Top W/ Large Lettering **F3014**
- Recycling Top W/ Small Lettering **F3019**

Shipping Information

Unit Wt.	Unit Shipping Wt. UPS	Unit Shipping Wt. Truck (1+ units)	Unit Ship Size w/Pallet	Max Units per Pallet	Pallet Wt. (74" x 32")	Total No. Pkgs	Shipping Class
185 lbs	N/A	246 lbs/unit	51 cu. ft.	1	100 lbs	4	125