



plants not included

D6010 RALLY PLANTER

plastisol coated, perforated steel
planter

Material

The planter body is made of 14-gauge steel with a .31" diameter uniform hole pattern. The planter is protected by Fusion Advantage™, a plastisol coating with an average .125" thickness and a high-gloss powder coat. A reusable 20-gallon plastic liner to contain plants and soil is included.

Finish

Fusion Advantage is a heat fused plastisol coating that creates an impervious rustproof barrier and resists UV deterioration, mildew, staining and fading.

The finish has been tested to the requirements of ASTM E1354 and is determined to be in compliance with California Uniform Fire Code 1103.2.1.4.2.

Color

See website or sales representative for color choices.

Assembly

The planter arrives fully assembled for immediate use on site.

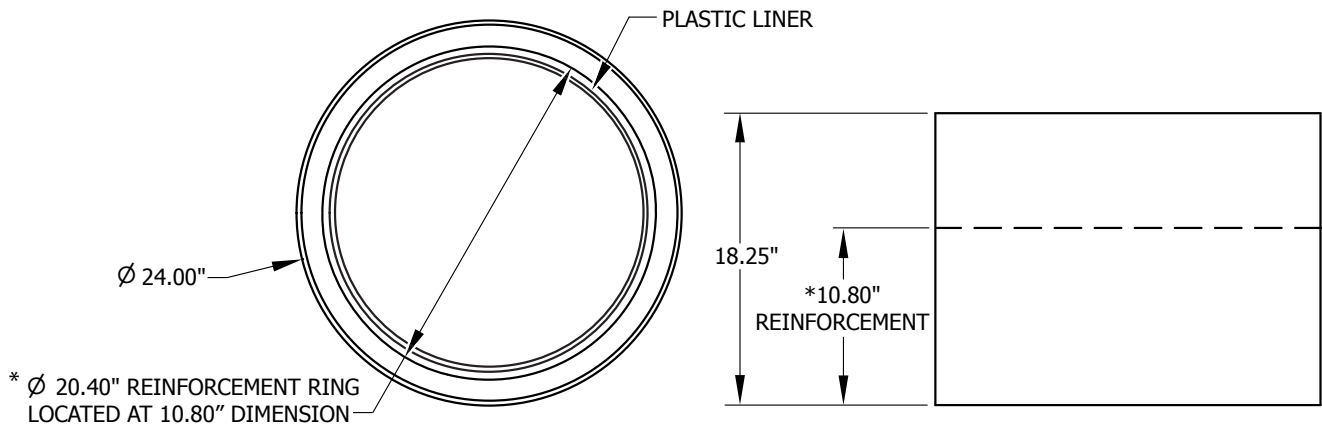
Maintenance

The product is virtually maintenance-free and requires only periodic cleaning with a sponge and a solution of mild detergent and water to remove surface dirt. Do not clean with solvent or petroleum based products.

Replacement Parts

Black Plastic Liner

R-F0DOM1028



Shipping Information

Unit Wt.	Unit Shipping Wt. UPS (1-2 units)	Unit Shipping Wt. Truck (3+ units)	Unit Ship Size w/Pallet	Max Units per Pallet	Pallet Wt. (48" x 32")	Total No. Pkgs	Shipping Class
47 lbs	102 lbs/unit	52 lbs/unit	31 cu. ft.	8	50 lbs	1	150