



D6005R

RALLY RECEPTACLE

32-gallon plastisol coated, perforated steel receptacle with liner and spun steel recycling top

Material

The 32-gallon receptacle body is made of 14-gauge perforated steel with a .41" diameter uniform hole pattern. The receptacle is protected by Fusion Advantage™, a plastisol coating with an average .125" thickness and a high-gloss powder coat.

The top is made of 18-gauge spun steel, is protected with a powder coat finish, and has a 5.05" diameter center opening to help filter recycling materials. The customer has a choice of "CANS ONLY", "PLASTIC ONLY", "GLASS ONLY", or "PAPER ONLY" decals. The graphics are available in black or white depending on the top color. The top includes a 14" web strap to attach the top to the receptacle. The top lifts off for easy emptying.

Finish

Fusion Advantage is a heat fused plastisol coating that creates an impervious rustproof barrier and resists UV deterioration, mildew, staining and fading.

The finish has been tested to the requirements of ASTM E1354 and is determined to be in compliance with California Uniform Fire Code 1103.2.1.4.2.

Color

See website or sales representative for color choices.

Assembly

Attaching the dome top tether to the receptacle body requires some assembly. Purchase of mounting options may require additional assembly.

Maintenance

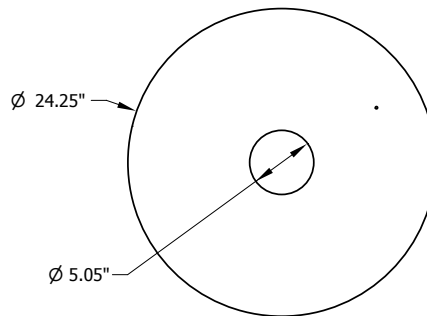
The product is virtually maintenance-free and requires only periodic cleaning with a sponge and a solution of mild detergent and water to remove surface dirt. Do not clean with solvent or petroleum based products.

Replacement Parts

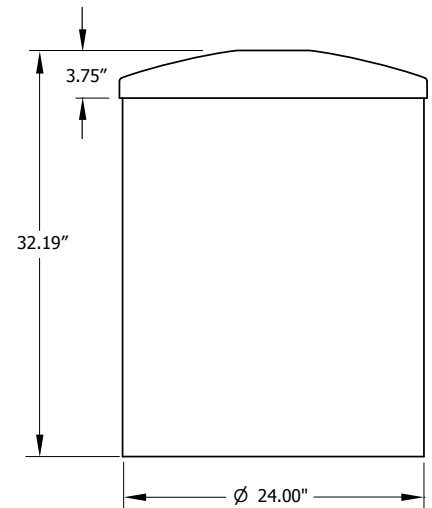
- Black Plastic Liner **F1017**
- Recycling Top W/ Large Lettering **F3014**
- Recycling Top W/ Small Lettering **F3019**

Accessories

- Traditional In ground Mount **F1094**
- Traditional Surface Mount **F1098**
- 45° Roadside In ground Mount **F1407**
- 45° Roadside Surface Mount **F1406**
- Corkscrew Anchor **A1020**



TOP VIEW



SIDE VIEW

Shipping Information

Unit Wt.	Unit Shipping Wt. UPS (1 unit)	Unit Shipping Wt. Truck (2+ units)	Unit Ship Size w/Pallet	Max Units per Pallet	Pallet Wt. (48" x 48")	Total No. Pkgs	Shipping Class
67 lbs	110 lbs/unit	75 lbs/unit	36 cu. ft.	8	50 lbs	1	150