

D6002— Rally 6' Contour Bench

6' contour bench with perforated steel seat and steel portable/surface mount legs

Material

The 6' contour bench is composed of a 14-gauge perforated steel seat with a uniform .31" diameter hole pattern. The legs and arms are made of 2" O.D. steel tubing. The bench is 78.76" long and will support 200 lbs. per linear foot.

The bench is designed to be portable for flexibility in placement or surface mounted using predrilled holes in feet to prevent movement; mounting hardware is not included.

Finish

Perforated steel seat is protected by the patented Fusion Advantage™ finish. The plastisol coating has an average thickness of .125" and is encapsulated with a richly tinted, high performance powder coating that won't rust, fade, peel, chip, crack, mold or mildew. The finish has been tested to the requirements of ASTM E1354 and determined to be in compliance with California Uniform Fire Code 1103.2.1.4.2.

Fade-resistant, powder coated steel legs, armrests and under supports feature a state-of-the-art primer proven to prevent rusting. Treated components exceed the industry standard by 34% in testing by independent sources.

Color

See website or sales representative for color choices.

Assembly

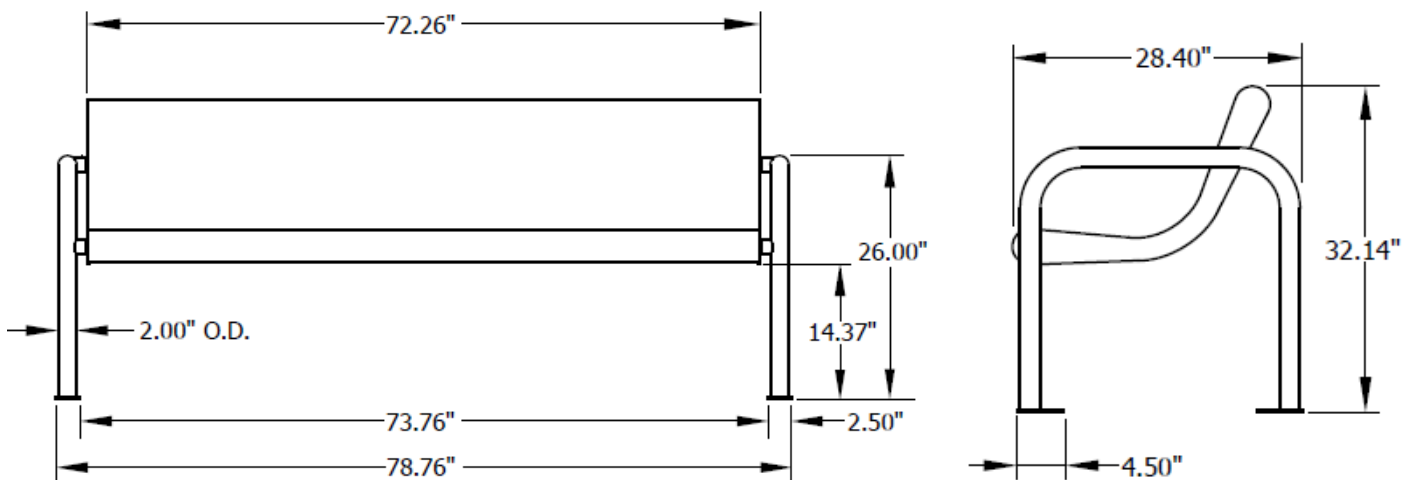
Some assembly is required. Stainless steel assembly hardware is included.

Maintenance

The product is virtually maintenance-free and requires only periodic cleaning with a sponge and a solution of mild detergent and water to remove surface dirt. Do not clean with solvent or petroleum base products.

Warranty

20-year limited structural warranty with 7-year finish warranty from the date of purchase



SHIPPING INFORMATION

Unit Weight	Unit Shipping Wt. UPS	Unit Shipping Wt. Truck (1+ Units)	Unit Ship Size w/Pallet	Max Units Per Pallet	Pallet Size/Wt. (74" x 32")	Total No. Pkgs.	Shipping Class
119 lbs.	N/A	137 lbs./unit	31 cu. ft.	5	100 lbs.	2	100