



D6000
RALLY PICNIC TABLE
 6' rectangular, perforated steel,
 picnic table, bench seats, traditional
 seat edge, portable mount

Material

The table is 72.25" in length and features two flat bench seats. The table top and seats are 14-gauge perforated steel with a .31" diameter uniform hole pattern. The table top and seats feature a traditional edge. Table top and seats are protected by Fusion Advantage™, a plastisol coating with an average .125" thickness and a high-gloss powder coat. The table top is designed to support 100 lbs per square foot and the seats will support 200 lbs per linear foot. The table also features a 1.58" diameter umbrella hole in the center.

The seat and table supports are made of 2" O.D. steel tubing protected by a fade resistant powder coat finish featuring a state of the art primer proven to prevent rusting. The table is designed to be portable allowing for flexibility in placement.

Finish

Fusion Advantage is a heat fused plastisol coating that creates an impervious rustproof barrier and resists UV deterioration, mildew, staining and fading.

The finish has been tested to the requirements of ASTM E1354 and is determined to be in compliance with California Uniform Fire Code 1103.2.1.4.2.

A state of the art primer is applied to all of the under supports, providing extreme rust fighting protection and durability. Treated components exceed the industry standard by 34% in testing by independent sources.

Color

This product is available in the following vibrant colors: Black, Blue, Bronze, Brown, Burgundy, Camel, Charcoal, Evergreen, Gray, Navy, Orange, Purple, Red, Sage, Silver, Teal, Vanilla, White, and Yellow.

Assembly

Table requires some assembly. Stainless steel assembly hardware is included.

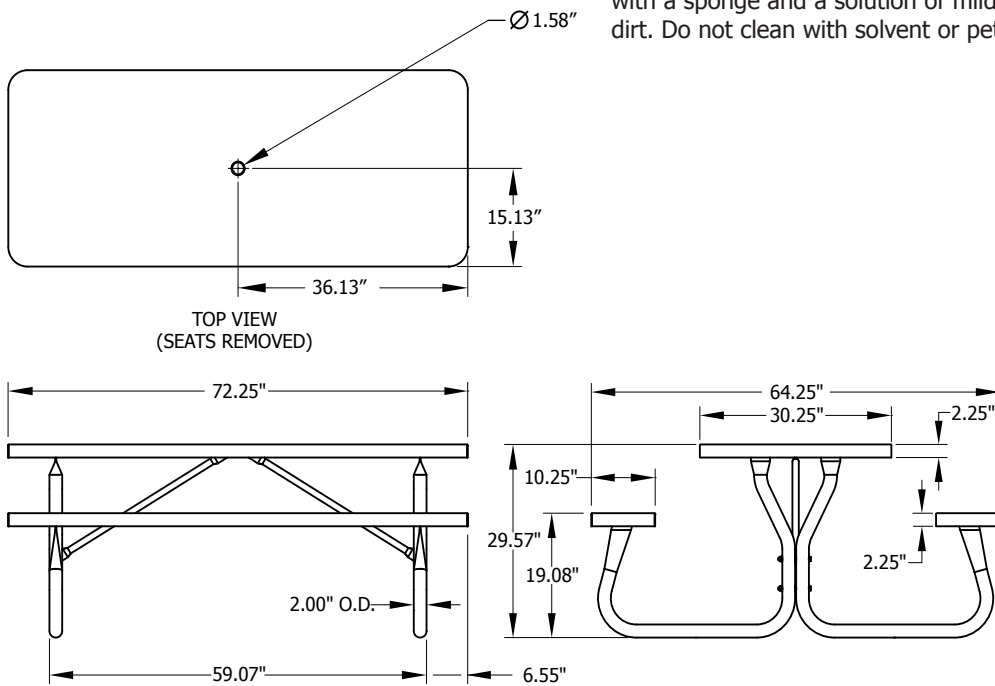
Maintenance

The product is virtually maintenance-free and requires only periodic cleaning with a sponge and a solution of mild detergent and water to remove surface dirt. Do not clean with solvent or petroleum based products.

Accessories

8' Umbrella
 9' Umbrella

7LPU
 9LPU



Shipping Information

Unit Wt.	Unit Shipping Wt. UPS	Unit Shipping Wt. Truck (1+ Units)	Unit Ship Size w/Pallet	Max Units per Pallet	Pallet Wt. (72" x 48")	Total No. Pkgs	Shipping Class
184 lbs	N/A	200 lbs/unit	38 cu. ft.	3	100 lbs	3	70