



D1404
PICNIC TABLE
 46" square perforated steel picnic table, single pedestal surface mount

Material

The table is 46.25" square and features four flat bench seats. The tabletop and seats are 12-gauge perforated steel with a .56" diameter uniform hole pattern and feature a traditional edge. Tabletop and seats are protected by Fusion Advantage™, a plastisol coating with an average .125" thickness and a high-gloss powder coat. The table also features a 1.50" diameter umbrella hole in the center. The tabletop is designed to support 100 lbs per square foot and the seats will support 200 lbs per linear foot.

The seat supports are made of 2.38" O.D. steel tubing protected by a fade resistant powder coat finish featuring a state of the art primer proven to prevent rusting. The frame is 4" square steel tube, also with a fade resistant powder coat finish and state of the art primer. and features and 11.75" square mounting plate with predrilled mounting holes for surface attachment. Mounting hardware is not included.

Finish

Fusion Advantage is a heat fused plastisol coating that creates an impervious rustproof barrier and resists UV deterioration, mildew, staining and fading.

The finish has been tested to the requirements of ASTM E1354 and is determined to be in compliance with California Uniform Fire Code 1103.2.1.4.2.

A state of the art primer is applied to all of the under supports, providing extreme rust fighting protection and durability. Treated components exceed the industry standard by 34% in testing by independant sources.

Color

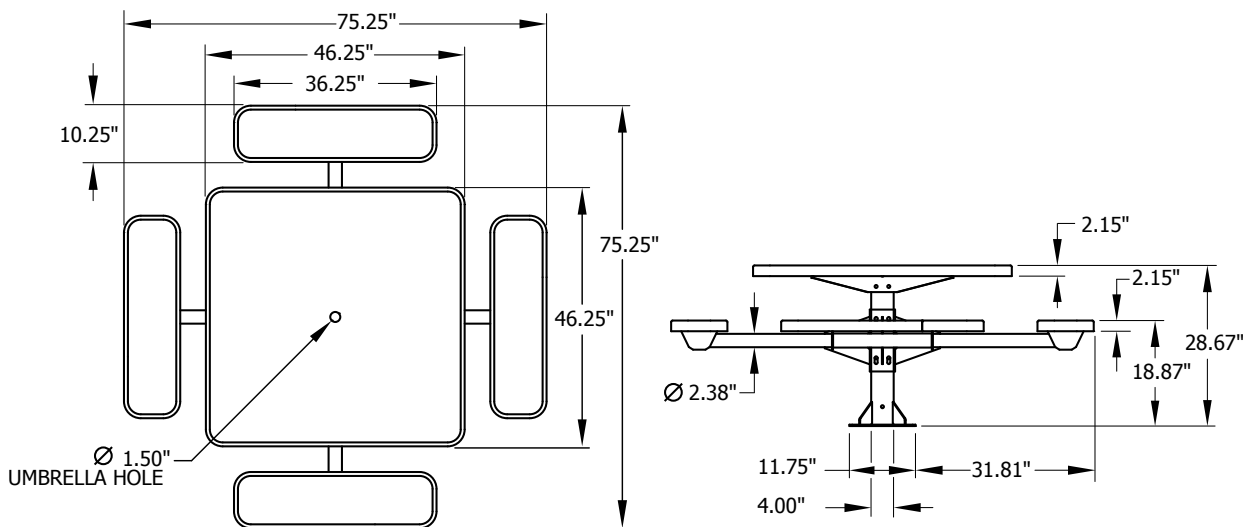
See website or sales representative for color choices.

Assembly

The bench requires some assembly. Stainless steel assembly hardware is included. Site mounted using your own hardware.

Maintenance

The product is virtually maintenance-free and requires only periodic cleaning with a sponge and a solution of mild detergent and water to remove surface dirt. Do not clean with solvent or petroleum based products.



Shipping Information

| Unit Wt. | Unit Shipping Wt. UPS | Unit Shipping Wt. Truck (1+ Units) | Unit Ship Size w/Pallet | Max Units per Pallet | Pallet Wt. (48" x 48") | Total No. Pkgs | Shipping Class |
|----------|-----------------------|------------------------------------|-------------------------|----------------------|------------------------|----------------|----------------|
| 279 lbs | N/A | 297 lbs/unit | 37 cu. ft. | 3 | 50 lbs | 4 | 70 |