



**D1153**  
**VERANDA PATIO CHAIR**  
perforated steel patio chair

**Material**

The chair seat is made of 14-gauge perforated steel with a .50" diameter uniform hole pattern. The seat is plastisol coated with an average thickness of .125" and finished with a high-gloss patented TopCoat®. The chair is designed to support 200 lbs per linear foot.

The legs are made of .88" O.D. steel tubing protected with FusionGuard® rust protection.

**Finish**

TopCoat™ patented high-gloss finish resists UV deterioration, mildew, staining and fading.

The TopCoat finish has been tested to the requirements of ASTM E 1354 and is determined to be in compliance with California Uniform Fire Code 1103.2.1.4.2. FusionGuard® primer is applied to all of the under supports, providing extreme rust fighting protection and durability. Under supports treated with FusionGuard exceed industry standard by 34% in testing by independent sources.

**Color**

This product is available in the following vibrant colors: Black, Blue, Bronze, Brown, Burgundy, Camel, Charcoal, Evergreen, Gray, Navy, Orange, Purple, Red, Sage, Silver, Teal, Vanilla, White, and Yellow.

**Assembly**

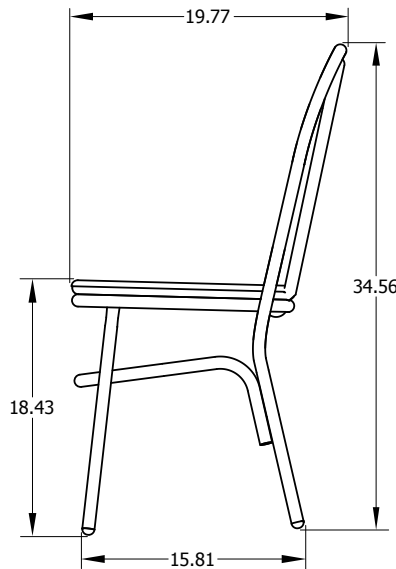
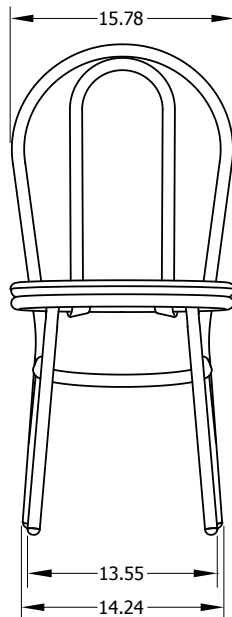
The chair requires some assembly. Stainless steel assembly hardware is included.

**Maintenance**

The product is virtually maintenance-free and requires only periodic cleaning with a sponge and a solution of mild detergent and water to remove surface dirt. Do not clean with solvent or petroleum based products.

**Warranty**

This product is covered by a 20-year limited structural warranty with a 7-year finish warranty from the date of purchase.



**Shipping Information**

Unit Wt.	Unit Shipping Wt. UPS	Unit Shipping Wt. Truck (3+ Units)	Unit Ship Size	Max Units per Pallet	Pallet Wt. (32" x 48")	Total No. Pkgs	Shipping Class
33 lbs	33 lbs	33 lbs	35 cu. ft.	4	50	1	70