



**D1147**  
**VERANDA PATIO TABLE**  
 46" diameter perforated steel patio table with traditional edge, portable mount

**Accessories**

8' Umbrella	<b>7LPU</b>
9' Umbrella	<b>9LPU</b>
Umbrella Base	<b>UB15</b>
2-Hole Hold Down Kit	<b>A2374</b>

**Material**

The table is 46.25" in diameter. The table top is made of 12-gauge perforated steel with a .56" diameter uniform hole pattern and features a traditional edge. The table top is protected by Fusion Advantage™, a plastisol coating with an average .125" thickness and a high-gloss powder coat. The table also features a 1.56" diameter umbrella hole in the center. The table top is designed to support 100 lbs per square foot.

The supports are made of 1.66" O.D. steel tubing protected by a fade resistant powder coat finish featuring a state of the art primer proven to prevent rusting. The table is designed as a portable mount for flexibility in placement.

**Finish**

Fusion Advantage is a heat fused plastisol coating that creates an impervious rustproof barrier and resists UV deterioration, mildew, staining and fading.

The finish has been tested to the requirements of ASTM E1354 and is determined to be in compliance with California Uniform Fire Code 1103.2.1.4.2.

A state of the art primer is applied to all of the under supports, providing extreme rust fighting protection and durability. Treated components exceed the industry standard by 34% in testing by independent sources.

**Color**

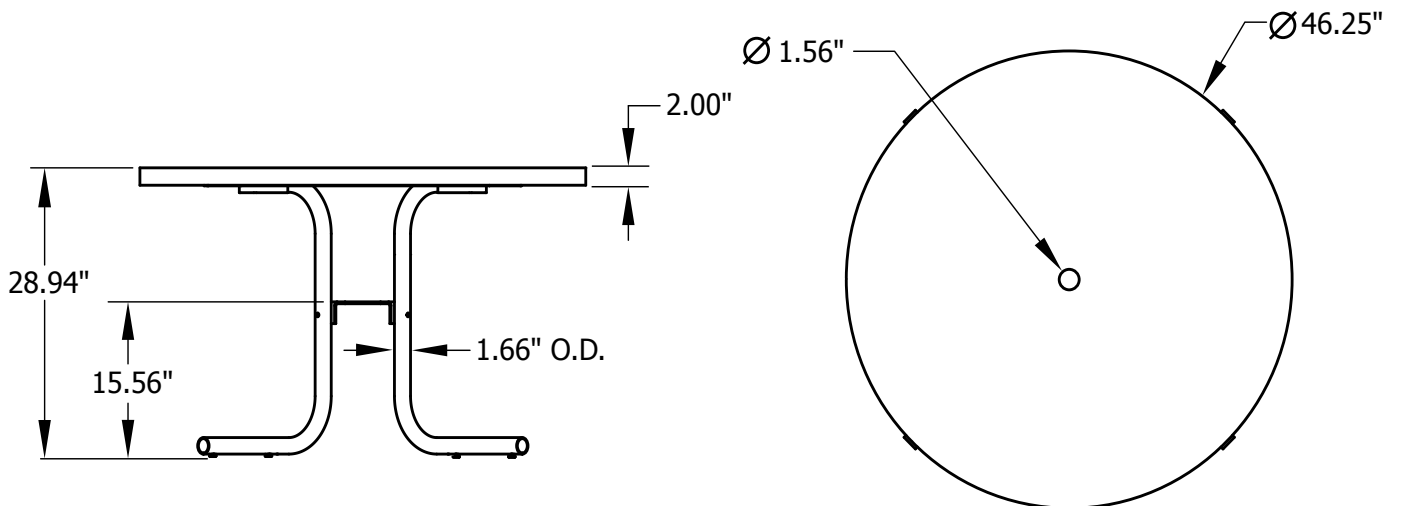
See website or sales representative for color choices.

**Assembly**

The table requires some assembly. Stainless steel assembly hardware is included.

**Maintenance**

The product is virtually maintenance-free and requires only periodic cleaning with a sponge and a solution of mild detergent and water to remove surface dirt. Do not clean with solvent or petroleum based products.



**Shipping Information**

Unit Wt.	Unit Shipping Wt. UPS	Unit Shipping Wt. Truck (1+ Units)	Unit Ship Size w/Pallet	Max Units per Pallet	Pallet Wt. (48" x 48")	Total No. Pkgs	Shipping Class
109 lbs	N/A	124 lbs/unit	23 cu. ft.	6	50 lbs	2	70