



## D1021D ULTRA RECEPTACLE

32-gallon plastisol coated,  
perforated steel receptacle  
with liner and plastic dome top

### Replacement Parts

Black Plastic Liner **F1017**  
Dome Top **F3015**

### Accessories

Trad. Inground Mount **F1094**  
Trad. Surface Mount **F1098**  
45° Surface Mount **F1406**  
45° Inground Mount **F1407**  
Corkscrew Anchor **A1020**

### Material

The 32-gallon receptacle body is made of 12-gauge perforated steel with a .56" diameter uniform hole pattern. The receptacle is protected by Fusion Advantage™, a plastisol coating with an average .125" thickness and a high-gloss powder coat.

The dome top is made of Linear Low Density Polyethylene and features a 7.44" x 12.50" self-closing push door and a tether to attach the top to the receptacle.

The reusable 32-gallon plastic liner is made of black high-density polyethylene.

### Finish

Fusion Advantage is a heat fused plastisol coating that creates an impervious rustproof barrier and resists UV deterioration, mildew, staining and fading.

The finish has been tested to the requirements of ASTM E1354 and is determined to be in compliance with California Uniform Fire Code 1103.2.1.4.2.

A state of the art primer is applied to all of the under supports, providing extreme rust fighting protection and durability. Treated components exceed the industry standard by 34% in testing by independent sources.

### Color

See website or sales representative for color choices.

### Assembly

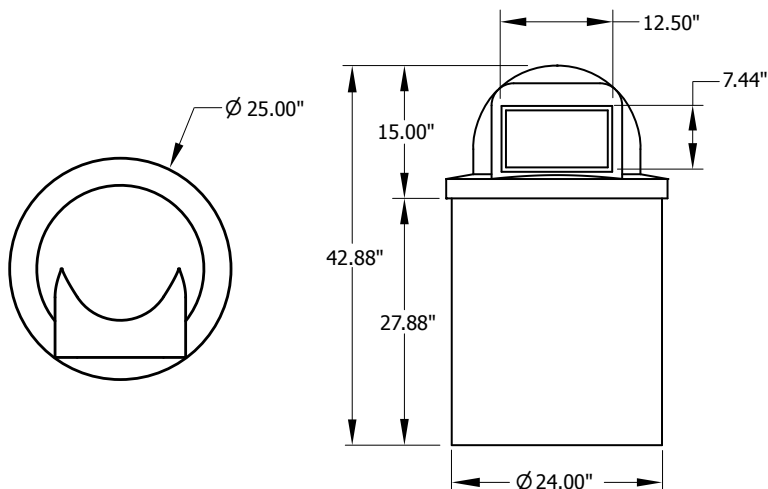
Attachment of the top to the receptacle body requires minor assembly. Mounting options require some assembly also, if purchased.

### Maintenance

The product is virtually maintenance-free and requires only periodic cleaning with a sponge and a solution of mild detergent and water to remove surface dirt. Do not clean with solvent or petroleum based products.

### Warranty

20-year limited structural warranty with 7-year finish warranty from the date of purchase. See full details on multi-year warranties for components at [www.anovafurnishings.com/warranty.aspx](http://www.anovafurnishings.com/warranty.aspx).



### Shipping Information

| Unit Wt. | Unit Shipping Wt. UPS<br>(1 Unit) | Unit Shipping Wt. Truck<br>(2+ Units) | Unit Ship Size<br>w/Pallet | Max Units<br>per Pallet | Pallet Wt.<br>(48" x 32") | Total No. Pkgs | Shipping Class |
|----------|-----------------------------------|---------------------------------------|----------------------------|-------------------------|---------------------------|----------------|----------------|
| 87 lbs   | 145 lbs/unit                      | 107 lbs/unit                          | 32 cu. ft.                 | 6                       | 50 lbs                    | 1              | 100            |