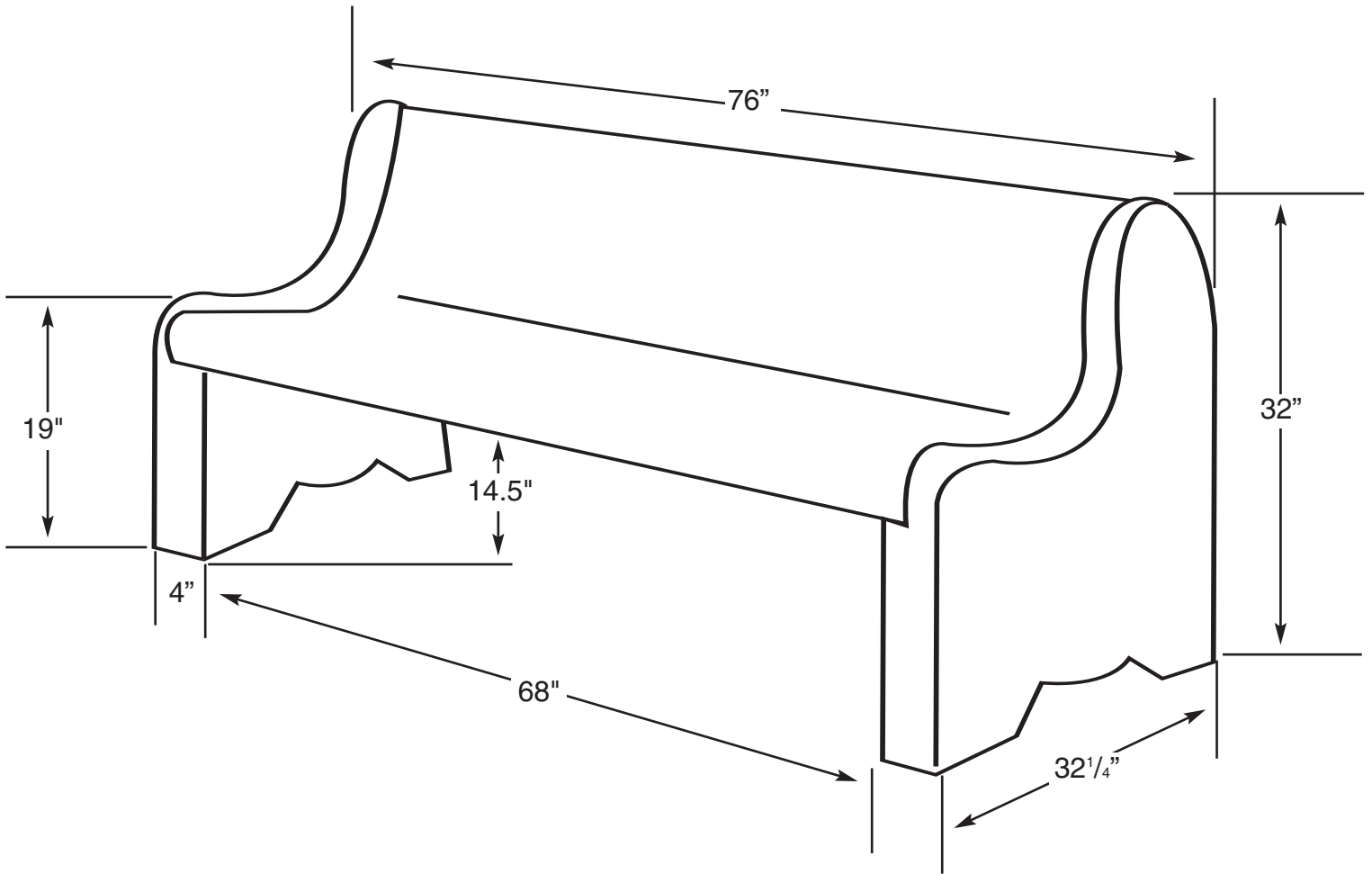


specification sheet

CRWCBEN6/CRNCBEN6 6' Crescent Bench



CRWCBEN6 - "The Web" 6' bench

Unit Wt.: 402 lbs.
Ship. Wt.: (Total) 447 lbs.
Legs: 332 lbs.
Seat: 115 lbs.

Box Size:

Legs: 20" x 35" x 36"
Seat: 10" x 32 1/2" x 74 1/2"

Cubic Feet:

Legs: 17
Seat: 14

Ship Class:

Legs: 70
Seat: 70

* Legs are shipped on a 36" x 36" pallet

CRNCBEN6 - "Narrowing the Gap" 6' bench

Unit Wt.: 402 lbs.
Ship. Wt.: (Total) 447 lbs.
Legs: 332 lbs.
Seat: 115 lbs.

Box Size:

Legs: 20" x 35" x 36"
Seat: 10" x 32 1/2" x 74 1/2"

Cubic Feet:

Legs: 17
Seat: 14

Ship Class:

Legs: 70
Seat: 70

* Legs are shipped on a 36" x 36" pallet