

# BRP305 BRPTRI305 BIKE RACK

9-bike steel sport and scooter bike rack, wide spacing, portable/surface mount  
BRPTRI305 includes tamper resistant Hardware

### Material

The bike rack is composed of 2.38" O.D. steel tube support sections and .5" O.D. steel rods welded at 7.5" intervals. The bike rack is protected by a fade resistant powder coat finish featuring a state of the art primer proven to prevent rusting.

The bike rack is 27.8" wide, 76.75" long, and 34.04" tall. The BRP305 rack is designed to accommodate up to 9 bikes. Bikes may enter from either side of the rack. The bike rack is portable, allowing for flexibility in placement and the legs have predrilled tabs to allow for surface mounting to prevent movement.

### Finish

Fade-resistant powder coated steel components feature a state-of-the art primer proven to prevent rusting. Treated components exceed industry standard by 34% in testing by independent sources.

### Color

See website or sales representative for color choices.

### Assembly

The Bike Rack requires some assembly. Stainless steel assembly hardware is included.

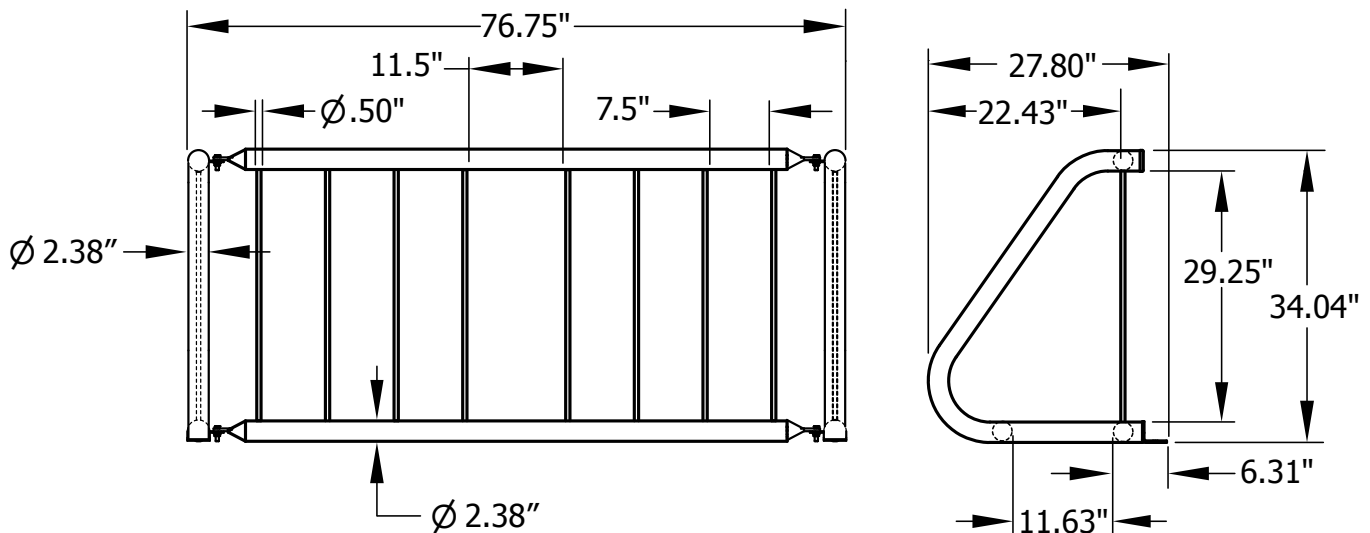
**BRPTRI305** model includes tamper resistant and stainless steel assembly hardware.

### Maintenance

Maintenance-free. To clean, spray with a power washer.

### Warranty

20-year limited structural warranty from the date of purchase.



### Shipping Information

Model No.	Unit Wt.	Unit Shipping Wt. UPS	Unit Shipping Wt. Truck (1+ units)	Unit Ship Size w/Pallet	Max Units per Pallet	Pallet Wt. (74" x 32")	Total No. Pkgs	Shipping Class
BRP305	109 lbs	NA	129 lbs/unit	16 cu. ft.	3	100 lbs	1	150
BRPTRI305	109 lbs	NA	129 lbs/unit	16 cu. ft.	3	100 lbs	1	150