

BH1850PR — Beacon Hill Recycled Plastic Planter

50-gallon planter with recycled plastic planks, two plastic liners and rubber feet

Material

The planter is 21.01" tall and is composed of nominal 1" x 4" recycled plastic planks with choice of horizontal or vertical plank placement and an extruded aluminum frame. Flexible modular design allows for customization; call for information.

The recycled plastic planks are impervious to moisture and corrosion, do not require the application of sealants or preservatives, and will never need painting or staining throughout the product's life.

The one-piece top is made from 11-gauge steel with two 17.33" wide and 17.30" deep top openings and lifts off for easy maintenance. The top features a middle divider designed for two separate plantings.

The planter is designed to be portable for flexibility in placement or surface mounted using .5" predrilled holes in the base to prevent movement. The rubber feet are adjustable to assist in leveling the planter. Two reusable plastic, 25-gallon capacity liners are made of high-density polyethylene with predrilled holes for excess water drainage. The mounting hardware is not included.

Finish

Fade-resistant, powder coated steel and aluminum components feature a state-of-the-art primer proven to prevent rusting. Treated components exceed the industry standard by 34% in testing by independent sources.

Color

See website or sales representative for color choices.

Assembly

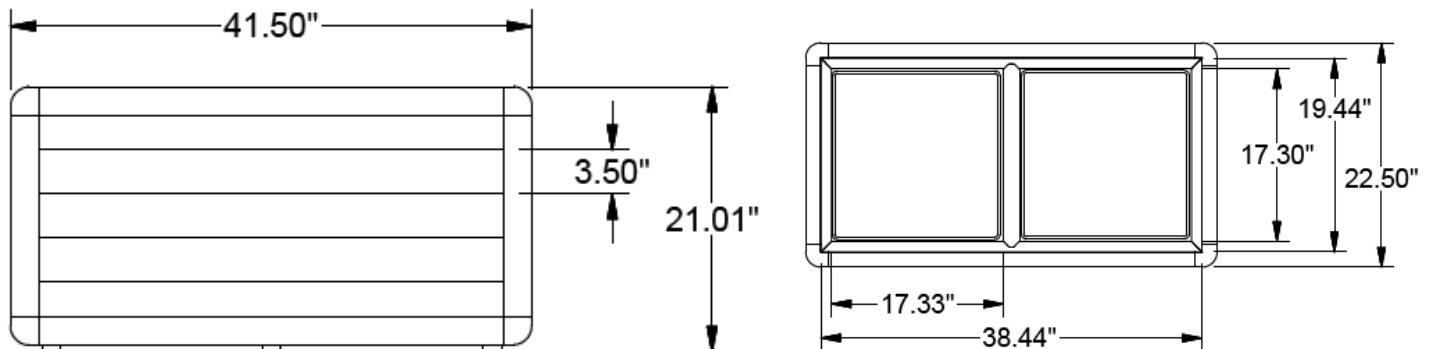
The planter ships fully assembled and ready for use.

Maintenance

The product is virtually maintenance-free and requires only periodic cleaning with a sponge and a mild detergent and water solution to remove surface dirt. Do not clean with solvent or petroleum base products.

Warranty

20-year limited structural warranty

**SHIPPING INFORMATION**

Unit Weight	Unit Shipping Wt. UPS	Unit Shipping Wt. Truck (1+ Units)	Unit Ship Size w/Pallet	Max Units Per Pallet	Pallet Size/Wt. (32" x 48")	Total No. Pkgs.	Shipping Class
143 lbs.	N/A	156 lbs./unit	40 cu. ft.	1	50 lbs.	1	150