

BH1835RBT — Beacon Hill Recycled Plastic Receptacle with Bonnet Top

35-gallon receptacle with recycled plastic planks, bonnet top, plastic liner and rubber feet

Material

The receptacle is 39.77" tall and is composed of nominal 1" x 4" recycled plastic planks with choice of horizontal or vertical plank placement and an extruded aluminum frame. Flexible modular design allows for customization; call for information.

The recycled plastic planks are impervious to moisture and corrosion, do not require the application of sealants or preservatives, and will never need painting or staining throughout the product's life.

The built-in, tapered bonnet top is 7.27" tall, made from 11-gauge steel and covers an 11.13" square waste opening. The top lifts off for easy waste disposal.

The receptacle is designed to be portable for flexibility in placement or surface mounted using .5" predrilled holes in the base to prevent movement. The rubber feet are adjustable to assist in leveling the receptacle. The reusable plastic liner is made of high-density polyethylene. The mounting hardware is not included.

Finish

Fade-resistant, powder coated steel and aluminum components feature a state-of-the-art primer proven to prevent rusting. Treated components exceed the industry standard by 34% in testing by independent sources.

Color

See website or sales representative for color choices.

Assembly

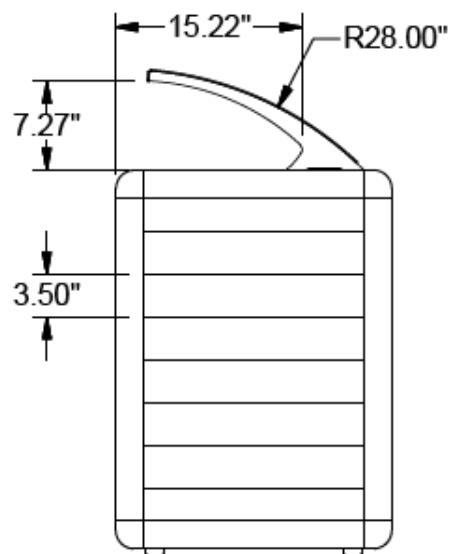
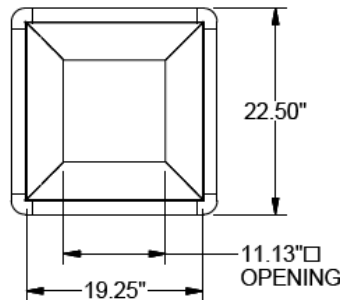
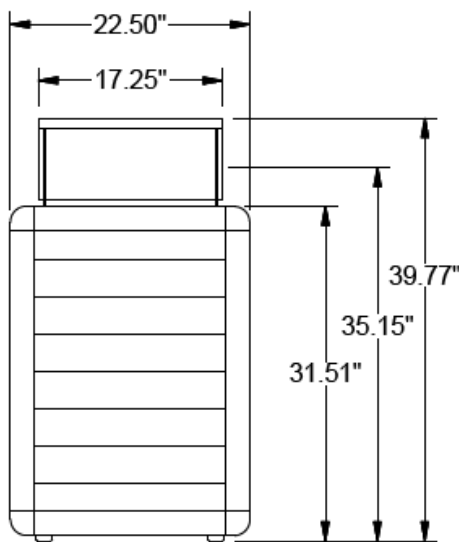
The receptacle ships fully assembled and ready for use.

Maintenance

The product is virtually maintenance-free and requires only periodic cleaning with a sponge and a mild detergent and water solution to remove surface dirt. Do not clean with solvent or petroleum base products.

Warranty

20-year limited structural warranty



SHIPPING INFORMATION

Unit Weight	Unit Shipping Wt. UPS	Unit Shipping Wt. Truck (1+ Units)	Unit Ship Size w/Pallet	Max Units Per Pallet	Pallet Size/Wt. (32" x 48")	Total No. Pkgs.	Shipping Class
130 lbs.	N/A	137 lbs./unit	36 cu. ft.	2	50 lbs.	1	150