

**BH1831R – Beacon Hill Recycled Plastic ADA Table with 3 Flat Seats**

**42" square ADA table with recycled plastic planks and three flat seats, surface mount**



**Material**

The ADA table has a 41.52" square table top, features three flat seats and meets federal ADA requirements. The table top frame is 10-gauge steel and the table top and flat seats are composed of 1" x 3.5" (1" x 4" nominal dimensions) and 1" x 2" recycled plastic planks. The table top features a 1.64" diameter umbrella hole in the center and is designed to support 100 lbs. per square foot.

The seats are composed of aluminum and steel plates and are designed to support 200 lbs. per linear foot.

The table frame and legs are made of 2.38" O.D. steel tubing and feature a built-in umbrella holder. The table legs have feet with predrilled .4" diameter holes for surface mounting to prevent movement. Table **must be surface mounted** for stability and to comply with warranty and federal regulations; mounting hardware is not included.

The planks are made of 95% recycled content by weight and are impervious to moisture and corrosion, do not require the application of sealants or preservatives, and will never need painting or staining throughout the product's life.

**Finish**

Fade-resistant, powder coated steel and aluminum components feature a state-of-the-art primer proven to prevent rusting. Treated components exceed the industry standard by 34% in testing by independent sources

**Color**

See website or sales representative for color choices.

**Assembly**

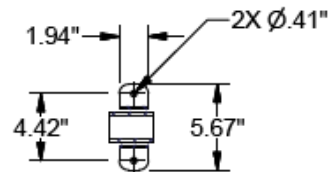
The table requires some assembly. The table top and seats ship pre-assembled. Stainless steel assembly hardware is included.

**Maintenance**

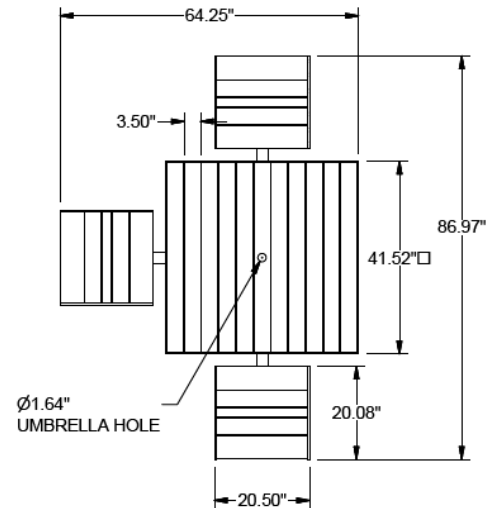
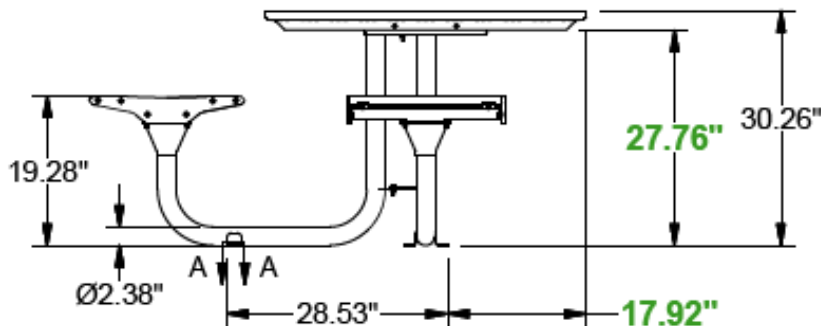
The product is virtually maintenance-free and requires only periodic cleaning with a sponge and a solution of mild detergent and water to remove surface dirt. Do not clean with solvent or petroleum base products.

**Warranty**

20-year limited structural warranty



FOOT MOUNT



**SHIPPING INFORMATION**

Unit Weight	Unit Shipping Wt. UPS	Unit Shipping Wt. Truck (1+ Units)	Unit Ship Size w/Pallet	Max Units Per Pallet	Pallet Size/Wt. (48" x 58")	Total No. Pkgs.	Shipping Class
263 lbs.	N/A	299 lbs./unit	50 cu. ft.	1	50 lbs.	5	125