



AVENUE®

RECTANGULAR OPEN TOP WITH HINGED LID

The Avenue® decorative refuse container is designed for outdoor high-traffic areas and harsh weather conditions. It adds an attractive element to your facility with its sophisticated vertical rail design.

FEATURES AND BENEFITS:

FEATURES

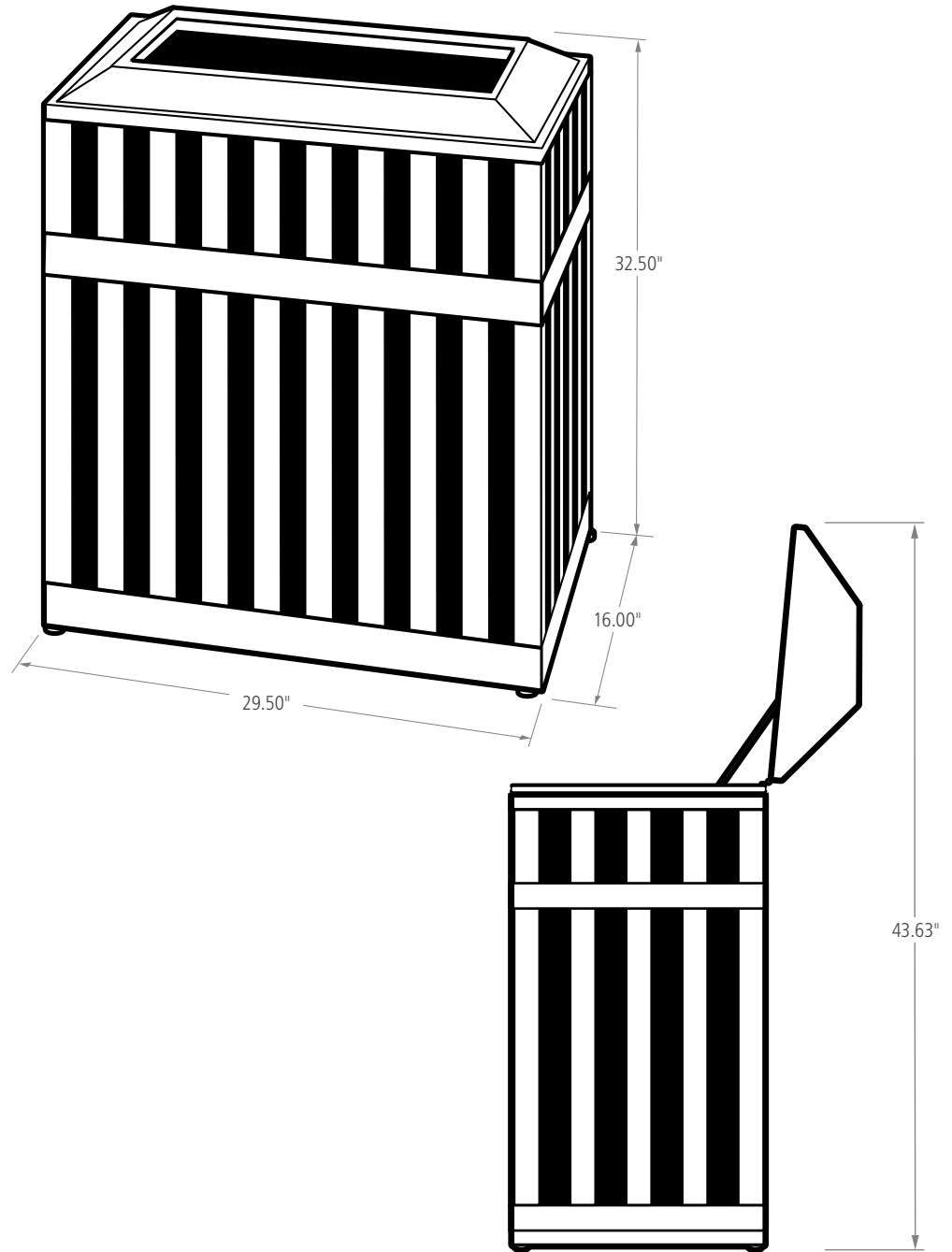
- ▶ Hinged lid enables easy waste removal
- ▶ Heavy-gauge, fire-safe galvanized steel
- ▶ Leak-proof rigid plastic liner included to contain liquids and keep the surrounding area cleaner
- ▶ Durable powder coat finish withstands severe weather and resists fading even when exposed to harsh UV rays
- ▶ Adjustable leg levelers create stability on uneven surfaces
- ▶ Shipped fully assembled

ACCESSORIES

- ▶ Anchoring kits available to secure receptacle in place



ADA COMPLIANT



GALLONS	LENGTH (in.)	WIDTH (in.)	HEIGHT (in.)	OPEN HEIGHT (in.)
35G	29.50	16.00	32.50	43.63"

SiteFurnishings.Indoff.com
 (844) 433-9610
 Allen Peterson

build your own ▶ rubbermaidcommercial.com/customize



AVENUE[®]

RECTANGULAR OPEN TOP WITH HINGED LID

▶ STANDARD COLOR OPTIONS



BLACK
GLOSS

SKU #	DESCRIPTION	LINER	COLOR	GALLONS	WEIGHT (lbs.)	LENGTH (in.)	WIDTH (in.)	HEIGHT (in.)
FGMHR36PLBK	AVENUE RECT OPEN TOP 132L/35G	PLASTIC	BLACK GLOSS	35	104.00	29.50	16.00	32.50

BUILD YOUR OWN ▶ [RUBBERMAIDCOMMERCIAL.COM/CUSTOMIZE](https://www.RUBBERMAIDCOMMERCIAL.COM/CUSTOMIZE)





AVENUE®

ROUND OPEN TOP WITH PERFORATION

The Avenue® decorative refuse container is designed for outdoor high-traffic areas and harsh weather conditions. It adds an attractive element to your facility with its sophisticated vertical rail design.

FEATURES AND BENEFITS:

FEATURES

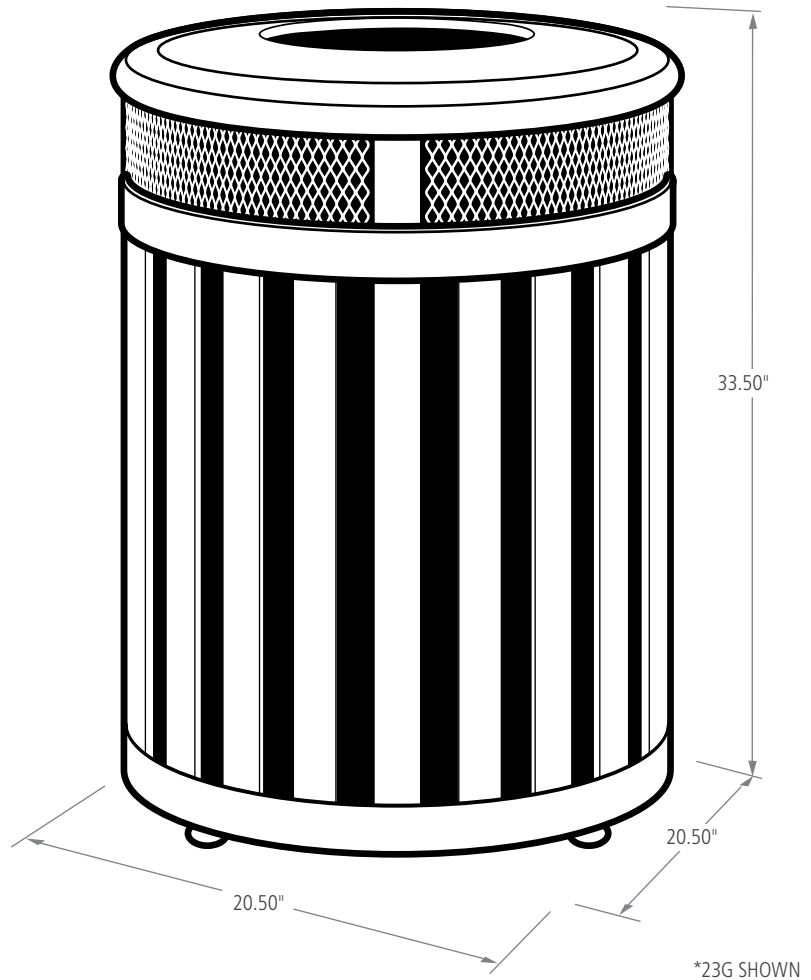
- ▶ Lid is fastened to receptacle for added security
- ▶ Heavy-gauge, fire-safe galvanized steel
- ▶ Leak-proof rigid plastic liner included to contain liquids and keep the surrounding area cleaner
- ▶ Durable powder coat finish withstands severe weather and resists fading even when exposed to harsh UV rays
- ▶ Adjustable leg levelers create stability on uneven surfaces
- ▶ Shipped fully assembled

ACCESSORIES

- ▶ Anchoring kits available to secure receptacle in place



ADA COMPLIANT



SiteFurnishings.Indoff.com
 (844) 433-9610
 Allen Peterson

GALLONS	LENGTH (in.)	WIDTH (in.)	HEIGHT (in.)
23G* (SHOWN)	20.50	20.50	33.50
37G	24.50	24.50	33.50

build your own ▶ rubbermaidcommercial.com/customize



AVENUE®

ROUND OPEN TOP WITH PERFORATION

▶ STANDARD COLOR OPTIONS



BLACK
GLOSS

SKU #	DESCRIPTION	LINER	COLOR	GALLONS	WEIGHT (lbs.)	LENGTH (in.)	WIDTH (in.)	HEIGHT (in.)
FGMH24PLBK	AVENUE RND OPEN TOP 87L/23G	PLASTIC	BLACK GLOSS	23	73.00	20.50	20.50	33.50
FGMH46PLBK	AVENUE RND OPEN TOP 140L/37G	PLASTIC	BLACK GLOSS	37	89.00	24.50	24.50	33.50

BUILD YOUR OWN ▶ RUBBERMAIDCOMMERCIAL.COM/CUSTOMIZE





AVENUE®

ROUND OPEN TOP

The Avenue® decorative refuse container is designed for outdoor high-traffic areas and harsh weather conditions. It adds an attractive element to your facility with its sophisticated vertical rail design.

FEATURES AND BENEFITS:

FEATURES

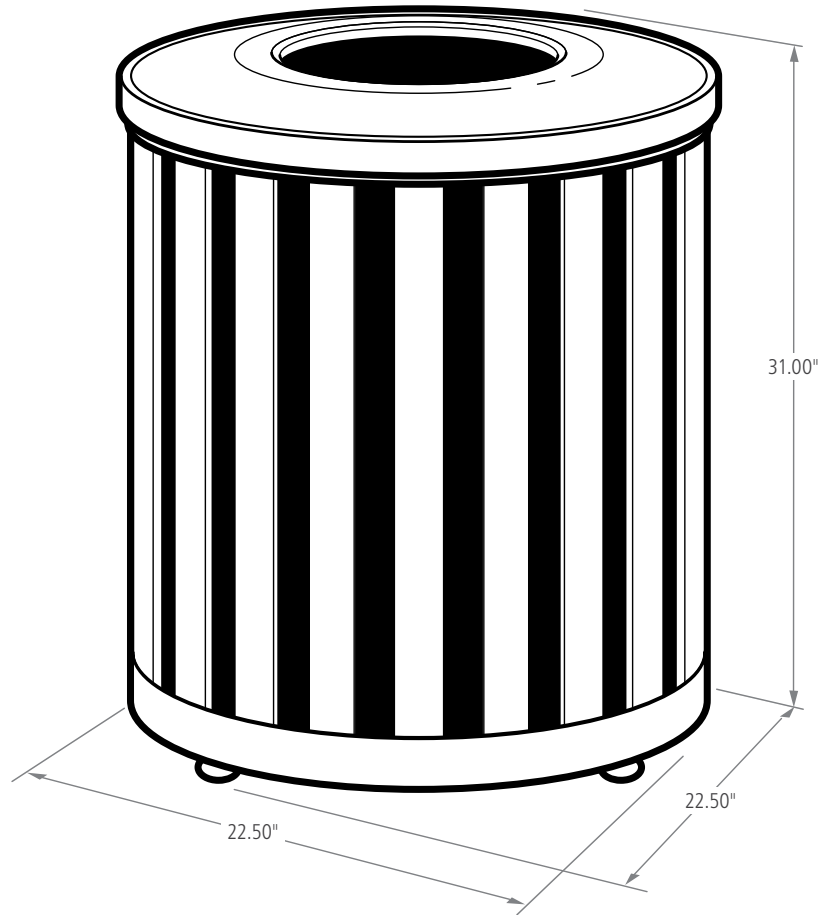
- ▶ Lid is fastened to receptacle for added security
- ▶ Heavy-gauge, fire-safe galvanized steel
- ▶ Leak-proof rigid plastic liner included to contain liquids and keep the surrounding area cleaner
- ▶ Durable powder coat finish withstands severe weather and resists fading even when exposed to harsh UV rays
- ▶ Adjustable leg levelers create stability on uneven surfaces
- ▶ Shipped fully assembled

ACCESSORIES

- ▶ Anchoring kits available to secure receptacle in place



ADA COMPLIANT



SiteFurnishings.Indoff.com

(844) 433-9610

Allen Peterson

GALLONS	LENGTH (in.)	WIDTH (in.)	HEIGHT (in.)
32G	22.50	22.50	31.00

build your own ▶ rubbermaidcommercial.com/customize



AVENUE[®]

ROUND OPEN TOP

▶ STANDARD COLOR OPTIONS



BLACK
GLOSS

SKU #	DESCRIPTION	LINER	COLOR	GALLONS	WEIGHT (lbs.)	LENGTH (in.)	WIDTH (in.)	HEIGHT (in.)
FGMH32PLBK	AVENUE RND OPEN TOP 121L/32G	PLASTIC	BLACK GLOSS	32	73.00	22.50	22.50	31.00

BUILD YOUR OWN ▶ RUBBERMAIDCOMMERCIAL.COM/CUSTOMIZE





AVENUE®

SQUARE OPEN TOP WITH HINGED LID

The Avenue® decorative refuse container is designed for outdoor high-traffic areas and harsh weather conditions. It adds an attractive element to your facility with its sophisticated vertical rail design.

FEATURES AND BENEFITS:

FEATURES

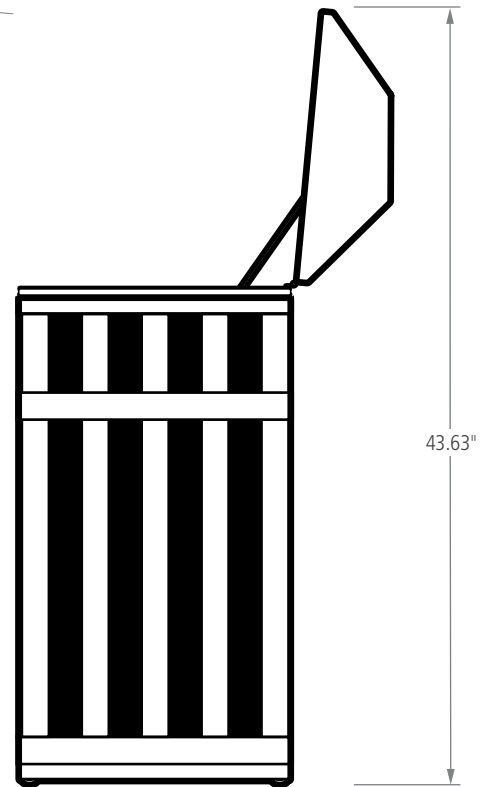
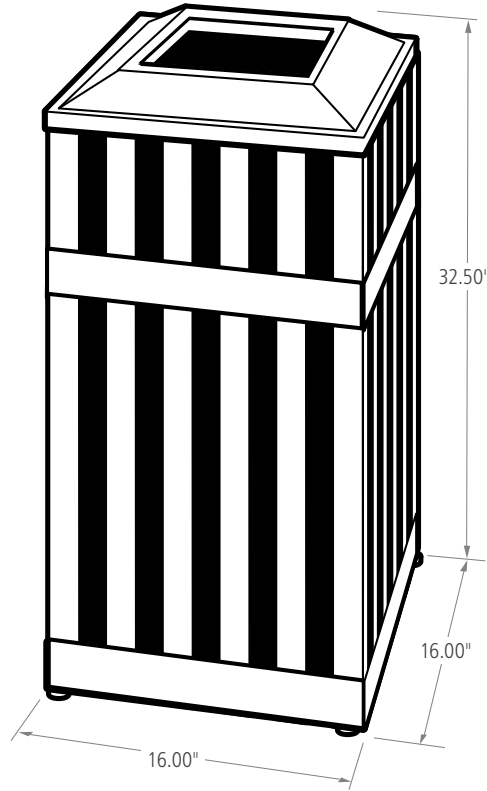
- ▶ Hinged lid enables easy waste removal
- ▶ Heavy-gauge, fire-safe galvanized steel
- ▶ Leak-proof rigid plastic liner included to contain liquids and keep the surrounding area cleaner
- ▶ Durable powder coat finish withstands severe weather and resists fading even when exposed to harsh UV rays
- ▶ Adjustable leg levelers create stability on uneven surfaces
- ▶ Shipped fully assembled

ACCESSORIES

- ▶ Anchoring kits available to secure receptacle in place



ADA COMPLIANT



GALLONS	LENGTH (in.)	WIDTH (in.)	HEIGHT (in.)	OPEN HEIGHT (in.)
16G	16.00	16.00	32.50	43.63"

SiteFurnishings.Indoff.com
 (844) 433-9610
 Allen Peterson

build your own ▶ rubbermaidcommercial.com/customize



AVENUE[®]

SQUARE OPEN TOP WITH HINGED LID

▶ STANDARD COLOR OPTIONS



BLACK
GLOSS

SKU #	DESCRIPTION	LINER	COLOR	GALLONS	WEIGHT (lbs.)	LENGTH (in.)	WIDTH (in.)	HEIGHT (in.)
FGMHSQ18PLBK	AVENUE SQ OPEN TOP 60L/16G	PLASTIC	BLACK GLOSS	16	72.00	16.00	16.00	32.50

BUILD YOUR OWN ▶ RUBBERMAIDCOMMERCIAL.COM/CUSTOMIZE

151289 | 123456

©2016 Rubbermaid Commercial Products LLC
8900 Northpointe Executive Park Drive, Huntersville, NC 28078

