



ASPEN

ASH/TRASH WITH ROUND OPENING AND WEATHER SHIELD

The Aspen decorative refuse container's stone panels naturally blend this receptacle into any outdoor environment.

FEATURES AND BENEFITS:

FEATURES

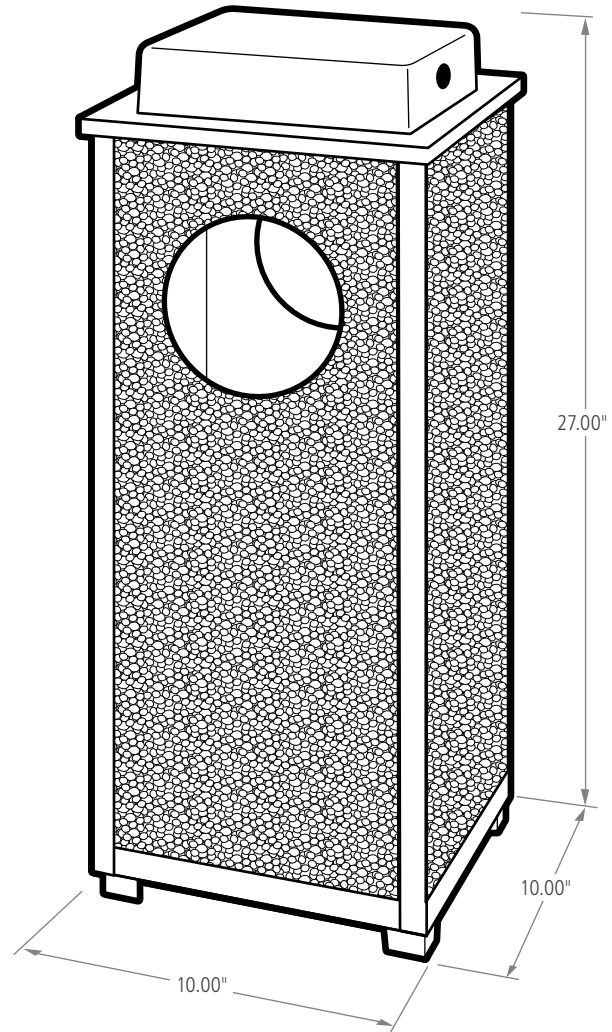
- ▶ Sand pan can be removed from the Ash/Trash style for easy cleaning and waste disposal
- ▶ Heavy-gauge, fire-safe galvanized steel
- ▶ Leak-proof rigid plastic liner included to help contain liquids and keep the surrounding area cleaner
- ▶ Durable powder coat finish withstands severe weather and resists fading even when exposed to harsh UV rays
- ▶ Stone panels have a Class A fire rating
- ▶ Adjustable leg levelers create stability on uneven surfaces
- ▶ Shipped fully assembled

ACCESSORIES

- ▶ Anchoring kits
- ▶ Factory-installed lid locks



ADA COMPLIANT



SiteFurnishings.Indoff.com
(844)433-9610

GALLONS	LENGTH (in.)	WIDTH (in.)	HEIGHT (in.)
2.5G	10.00	10.00	27.00

build your own ▶ rubbermaidcommercial.com/customize



ASPEN

ASH/TRASH WITH ROUND OPENING AND WEATHER SHIELD

▶ STANDARD COLOR OPTIONS



GREY
STENNI



BROWN
GLOSS



GREEN
GLOSS



BRONZE
MATTE

SKU #	DESCRIPTION	LINER	COLOR	GALLONS	WEIGHT (lbs.)	LENGTH (in.)	WIDTH (in.)	HEIGHT (in.)
FGR41WU2000PL	ASPEN ASH/TR WTHR URN 9L/2.5G	PLASTIC	GREY TRIM WITH GREY PNLS	2.5	31.00	10.00	10.00	27.00
FGR41WU6000PL	ASPEN ASH/TR WTHR URN 9L/2.5G	PLASTIC	BRNZ TRIM WITH GREY PNLS	2.5	31.00	10.00	10.00	27.00
FGR41WU201PL	ASPEN ASH/TR WTHR URN 9L/2.5G	PLASTIC	BRN TRIM WITH BRN PNLS	2.5	31.00	10.00	10.00	27.00
FGR41WU202PL	ASPEN ASH/TR WTHR URN 9L/2.5G	PLASTIC	EGN TRIM WITH BRN PNLS	2.5	31.00	10.00	10.00	27.00

BUILD YOUR OWN ▶ RUBBERMAIDCOMMERCIAL.COM/CUSTOMIZE



SiteFurnishings.Indoff.com
(844)433-9610

151289 | 123456

©2016 Rubbermaid Commercial Products LLC
8900 Northpointe Executive Park Drive, Huntersville, NC 28078





ASPEN

ASH/TRASH WITH ROUND OPENING

The Aspen decorative refuse container's stone panels naturally blend this receptacle into any outdoor environment.

FEATURES AND BENEFITS:

FEATURES

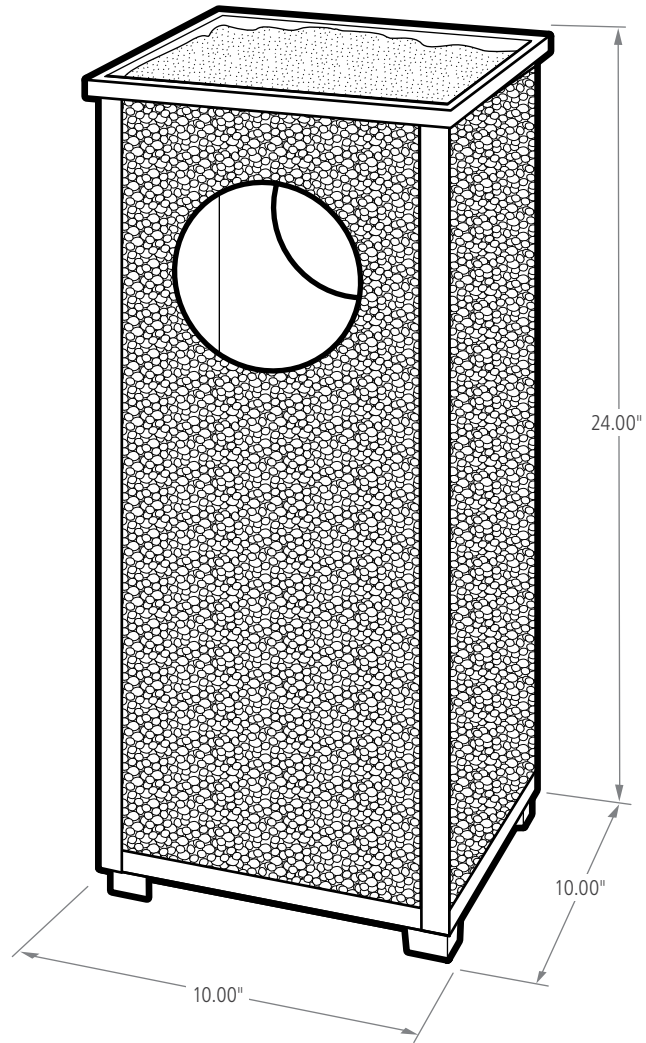
- ▶ Sand pan can be removed from the Ash/Trash style for easy cleaning and waste disposal
- ▶ Heavy-gauge, fire-safe galvanized steel
- ▶ Leak-proof rigid plastic liner included to help contain liquids and keep the surrounding area cleaner
- ▶ Durable powder coat finish withstands severe weather and resists fading even when exposed to harsh UV rays
- ▶ Stone panels have a Class A fire rating
- ▶ Adjustable leg levelers create stability on uneven surfaces
- ▶ Shipped fully assembled

ACCESSORIES

- ▶ Anchoring kits
- ▶ Factory-installed lid locks



ADA COMPLIANT



SiteFurnishings.Indoff.com
(844)433-9610

GALLONS	LENGTH (in.)	WIDTH (in.)	HEIGHT (in.)
2.5G	10.00	10.00	24.00

build your own ▶ rubbermaidcommercial.com/customize



ASPEN

ASH/TRASH WITH ROUND OPENING

STANDARD COLOR OPTIONS



SKU #	DESCRIPTION	LINER	COLOR	GALLONS	WEIGHT (lbs.)	LENGTH (in.)	WIDTH (in.)	HEIGHT (in.)
FGR41201PL	ASPEN ASH/TRASH 9L/2.5G	PLASTIC	BRN TRIM WITH BRN PNLS	2.5	28.00	10.00	10.00	24.00
FGR41202PL	ASPEN ASH/TRASH 9L/2.5G	PLASTIC	EGN TRIM WITH BRN PNLS	2.5	28.00	10.00	10.00	24.00
FGR412000PL	ASPEN ASH/TRASH 9L/2.5G	PLASTIC	GREY TRIM WITH GREY PNLS	2.5	28.00	10.00	10.00	24.00
FGR416000PL	ASPEN ASH/TRASH 9L/2.5G	PLASTIC	BRNZ TRIM WITH GREY PNLS	2.5	28.00	10.00	10.00	24.00

BUILD YOUR OWN [▶RUBBERMAIDCOMMERCIAL.COM/CUSTOMIZE](http://RUBBERMAIDCOMMERCIAL.COM/CUSTOMIZE)



SiteFurnishings.Indoff.com
(844)433-9610





ASPEN

ASH/TRASH WITH WEATHER SHIELD

The Aspen decorative refuse container's stone panels naturally blend this receptacle into any outdoor environment.

FEATURES AND BENEFITS:

FEATURES

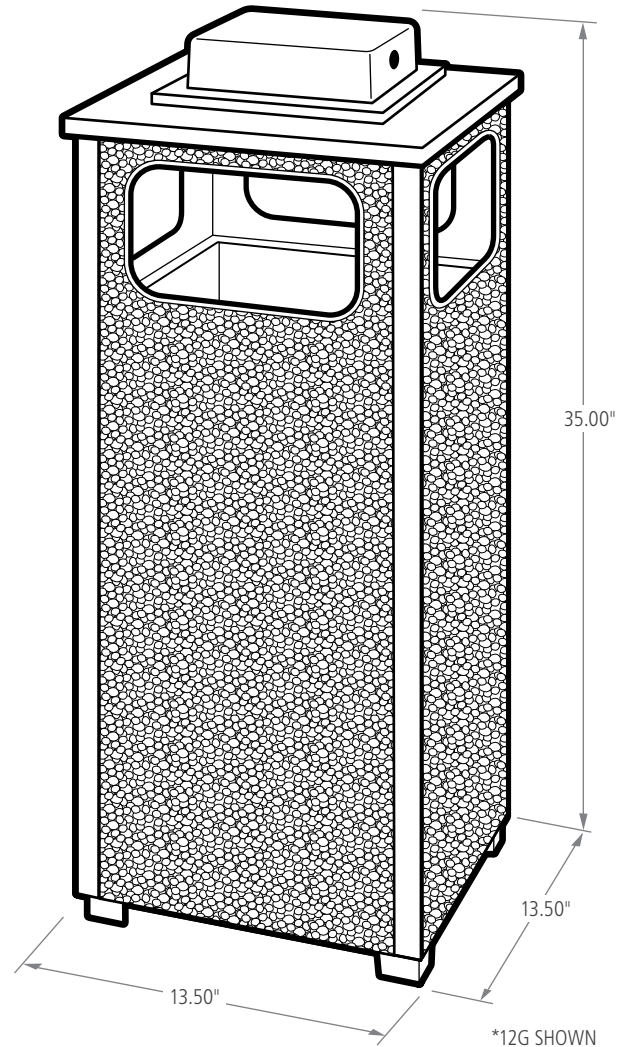
- ▶ Sand pan can be removed from the Ash/Trash style for easy cleaning and waste disposal
- ▶ Heavy-gauge, fire-safe galvanized steel
- ▶ Leak-proof rigid plastic liner included to help contain liquids and keep the surrounding area cleaner
- ▶ Durable powder coat finish withstands severe weather and resists fading even when exposed to harsh UV rays
- ▶ Stone panels have a Class A fire rating
- ▶ Adjustable leg levelers create stability on uneven surfaces
- ▶ Shipped fully assembled

ACCESSORIES

- ▶ Anchoring kits
- ▶ Factory-installed lid locks



ADA COMPLIANT



SiteFurnishings.Indoff.com
(844)433-9610

GALLONS	LENGTH (in.)	WIDTH (in.)	HEIGHT (in.)
12G* (SHOWN)	13.50	13.50	35.00
24G	18.00	18.00	35.00

build your own ▶ rubbermaidcommercial.com/customize



ASPEN

ASH/TRASH WITH WEATHER SHIELD

STANDARD COLOR OPTIONS



SKU #	DESCRIPTION	LINER	COLOR	GALLONS	WEIGHT (lbs.)	LENGTH (in.)	WIDTH (in.)	HEIGHT (in.)
FGR12WU202PL	ASPEN ASH/TR WTHR URN 45L/12G	PLASTIC	EGN TRIM WITH BRN PNLS	12	39.00	13.50	13.50	32.00
FGR12WU2000PL	ASPEN ASH/TR WTHR URN 45L/12G	PLASTIC	GREY TRIM WITH GREY PNLS	12	39.00	13.50	13.50	32.00
FGR12WU201PL	ASPEN ASH/TR WTHR URN 45L/12G	PLASTIC	BRN TRIM WITH BRN PNLS	12	39.00	13.50	13.50	32.00
FGR12WU6000PL	ASPEN ASH/TR WTHR URN 45L/12G	PLASTIC	BRNZ TRIM WITH GREY PNLS	12	39.00	13.50	13.50	32.00
FGR18WU2000PL	ASPEN ASH/TR WTHR URN 90L/24G	PLASTIC	GREY TRIM WITH GREY PNLS	24	66.00	18.00	18.00	32.00
FGR18WU201PL	ASPEN ASH/TR WTHR URN 90L/24G	PLASTIC	BRN TRIM WITH BRN PNLS	24	66.00	18.00	18.00	32.00
FGR18WU6000PL	ASPEN ASH/TR WTHR URN 90L/24G	PLASTIC	BRNZ TRIM WITH GREY PNLS	24	66.00	18.00	18.00	32.00
FGR18WU202PL	ASPEN ASH/TR WTHR URN 90L/24G	PLASTIC	EGN TRIM WITH BRN PNLS	24	66.00	18.00	18.00	32.00

BUILD YOUR OWN ► RUBBERMAIDCOMMERCIAL.COM/CUSTOMIZE



SiteFurnishings.Indoff.com
(844)433-9610

151289 | 123456

©2016 Rubbermaid Commercial Products LLC
8900 Northpointe Executive Park Drive, Huntersville, NC 28078





ASPEN

ASH/TRASH

The Aspen decorative refuse container's stone panels naturally blend this receptacle into any outdoor environment.

FEATURES AND BENEFITS:

FEATURES

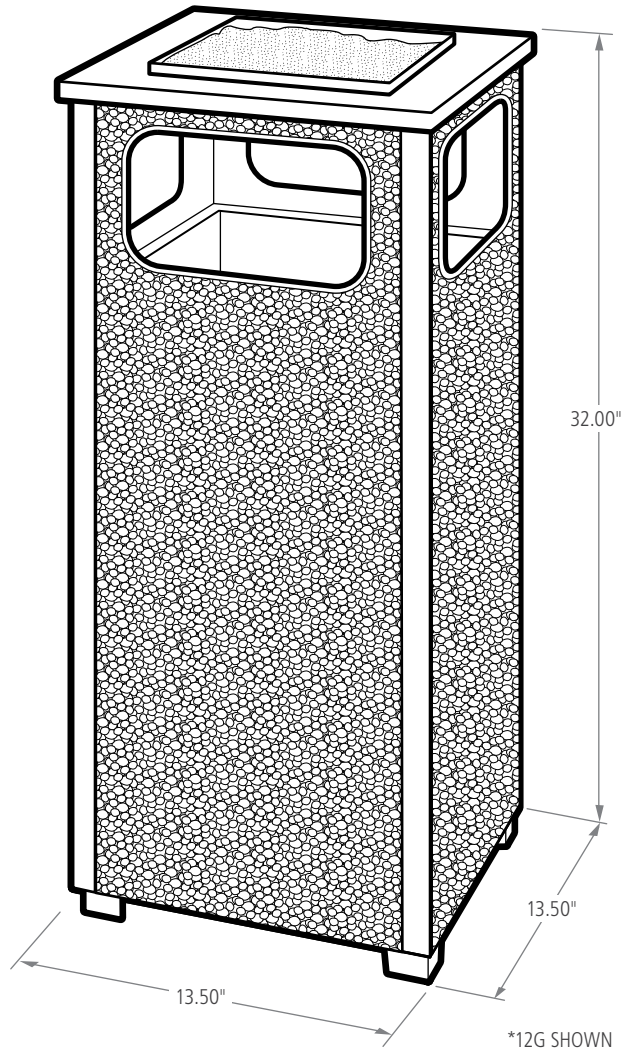
- ▶ Sand pan can be removed from the Ash/Trash style for easy cleaning and waste disposal
- ▶ Heavy-gauge, fire-safe galvanized steel
- ▶ Leak-proof rigid plastic liner included to help contain liquids and keep the surrounding area cleaner
- ▶ Durable powder coat finish withstands severe weather and resists fading even when exposed to harsh UV rays
- ▶ Stone panels have a Class A fire rating
- ▶ Adjustable leg levelers create stability on uneven surfaces
- ▶ Shipped fully assembled

ACCESSORIES

- ▶ Anchoring kits
- ▶ Factory-installed lid locks



ADA COMPLIANT



SiteFurnishings.Indoff.com
(844)433-9610

GALLONS	LENGTH (in.)	WIDTH (in.)	HEIGHT (in.)
12G* (SHOWN)	13.50	13.50	32.00
24G	18.00	18.00	32.00

build your own ▶ rubbermaidcommercial.com/customize



ASPEN

ASH/TRASH

STANDARD COLOR OPTIONS



SKU #	DESCRIPTION	LINER	COLOR	GALLONS	WEIGHT (lbs.)	LENGTH (in.)	WIDTH (in.)	HEIGHT (in.)
FGR12SU202PL	ASPEN ASH/TRASH 45L/12G	PLASTIC	EGN TRIM WITH BRN PNLS	12	39.00	13.50	13.50	32.00
FGR12SU2000PL	ASPEN ASH/TRASH 45L/12G	PLASTIC	GREY TRIM WITH GREY PNLS	12	39.00	13.50	13.50	32.00
FGR12SU201PL	ASPEN ASH/TRASH 45L/12G	PLASTIC	BRN TRIM WITH BRN PNLS	12	39.00	13.50	13.50	32.00
FGR12SU6000PL	ASPEN ASH/TRASH 45L/12G	PLASTIC	BRNZ TRIM WITH GREY PNLS	12	39.00	13.50	13.50	32.00
FGR18SU2000PL	ASPEN ASH/TRASH 90L/24G	PLASTIC	GREY TRIM WITH GREY PNLS	24	66.00	18.00	18.00	32.00
FGR18SU201PL	ASPEN ASH/TRASH 90L/24G	PLASTIC	BRN TRIM WITH BRN PNLS	24	66.00	18.00	18.00	32.00
FGR18SU6000PL	ASPEN ASH/TRASH 90L/24G	PLASTIC	BRNZ TRIM WITH GREY PNLS	24	66.00	18.00	18.00	32.00
FGR18SU202PL	ASPEN ASH/TRASH 90L/24G	PLASTIC	EGN TRIM WITH BRN PNLS	24	66.00	18.00	18.00	32.00
FGR18201PL	ASPEN ASH/TRASH 90L/24G	PLASTIC	BRN TRIM WITH BRN PNLS	24	66.00	18.00	18.00	32.00

BUILD YOUR OWN ► RUBBERMAIDCOMMERCIAL.COM/CUSTOMIZE



SiteFurnishings.Indoff.com
(844)433-9610

151289 | 123456

©2016 Rubbermaid Commercial Products LLC
8900 Northpointe Executive Park Drive, Huntersville, NC 28078





ASPEN

FLAT TOP

The Aspen decorative refuse container's stone panels naturally blend this receptacle into any outdoor environment.

FEATURES AND BENEFITS:

FEATURES

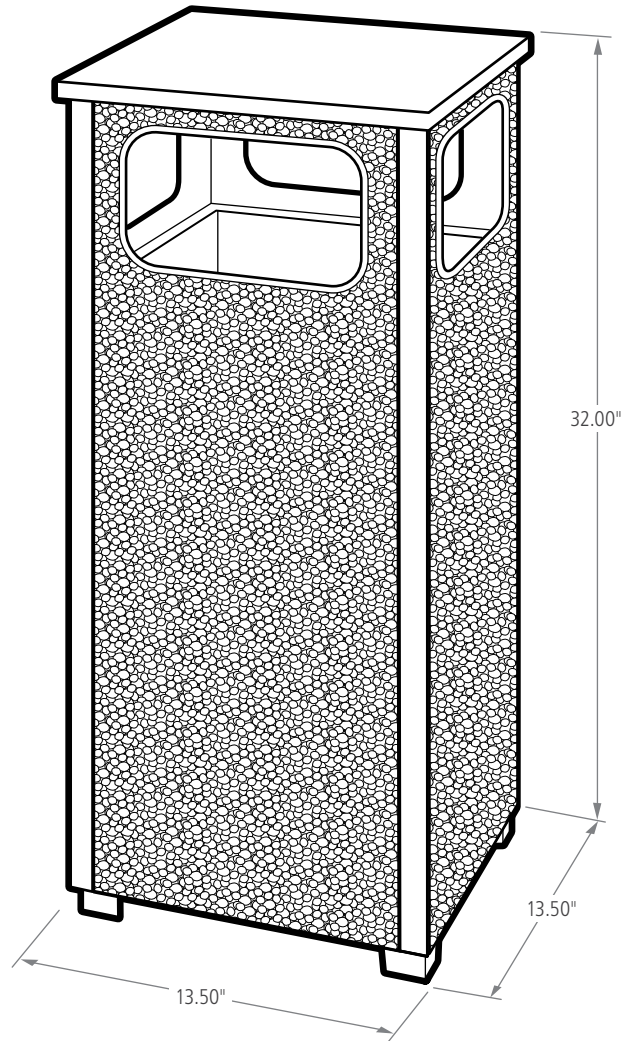
- ▶ Heavy-gauge, fire-safe galvanized steel
- ▶ Leak-proof rigid plastic liner included to help contain liquids and keep the surrounding area cleaner
- ▶ Durable powder coat finish withstands severe weather and resists fading even when exposed to harsh UV rays
- ▶ Stone panels have a Class A fire rating
- ▶ Adjustable leg levelers create stability on uneven surfaces
- ▶ Shipped fully assembled

ACCESSORIES

- ▶ Anchoring kits
- ▶ Factory-installed lid locks



ADA COMPLIANT



SiteFurnishings.Indoff.com
(844)433-9610

GALLONS	LENGTH (in.)	WIDTH (in.)	HEIGHT (in.)
12G*	13.50	13.50	32.00

build your own ▶ rubbermaidcommercial.com/customize



ASPEN

FLAT TOP

STANDARD COLOR OPTIONS



GREY
STENNI



BROWN
GLOSS



GREEN
GLOSS



BRONZE
MATTE

SKU #	DESCRIPTION	LINER	COLOR	GALLONS	WEIGHT (lbs.)	LENGTH (in.)	WIDTH (in.)	HEIGHT (in.)
FGR122000PL	ASPEN FLAT TOP 45L/12G	PLASTIC	GREY TRIM WITH GREY PNLS	12	39.00	13.50	13.50	32.00
FGR12201PL	ASPEN FLAT TOP 45L/12G	PLASTIC	BRN TRIM WITH BRN PNLS	12	39.00	13.50	13.50	32.00
FGR12202PL	ASPEN FLAT TOP 45L/12G	PLASTIC	EGN TRIM WITH BRN PNLS	12	39.00	13.50	13.50	32.00
FGR126000PL	ASPEN FLAT TOP 45L/12G	PLASTIC	BRNZ TRIM WITH GREY PNLS	12	39.00	13.50	13.50	32.00

BUILD YOUR OWN [▶RUBBERMAIDCOMMERCIAL.COM/CUSTOMIZE](http://RUBBERMAIDCOMMERCIAL.COM/CUSTOMIZE)



SiteFurnishings.Indoff.com
(844)433-9610





ASPEN

HINGED TOP WITH WEATHER SHIELD

The Aspen decorative refuse container's stone panels naturally blend this receptacle into any outdoor environment.

FEATURES AND BENEFITS:

FEATURES

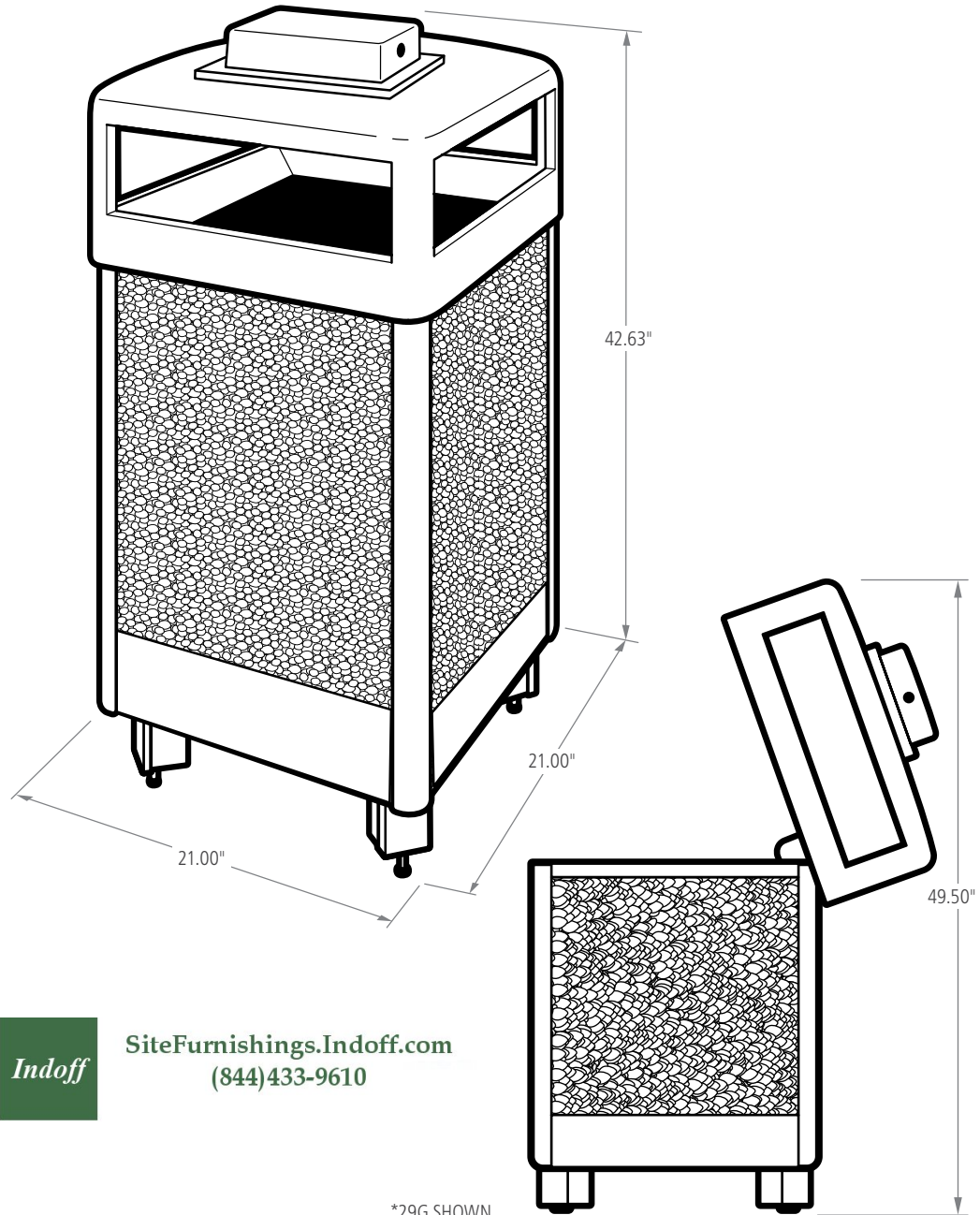
- ▶ Hinged lid enables easy waste removal
- ▶ Heavy-gauge, fire-safe galvanized steel
- ▶ Leak-proof rigid plastic liner included to help contain liquids and keep the surrounding area cleaner
- ▶ Durable powder coat finish withstands severe weather and resists fading even when exposed to harsh UV rays
- ▶ Stone panels have a Class A fire rating
- ▶ Adjustable leg levelers create stability on uneven surfaces
- ▶ Shipped fully assembled

ACCESSORIES

- ▶ Anchoring kits
- ▶ Factory-installed lid locks



ADA COMPLIANT



Indoff SiteFurnishings.Indoff.com
(844)433-9610

*29G SHOWN

GALLONS	LENGTH (in.)	WIDTH (in.)	HEIGHT (in.)	OPEN HEIGHT (in.)
29G* (SHOWN)	21.00	21.00	42.63	49.50
38G, 48G	26.00	26.00	42.63	49.50

build your own ▶ rubbermaidcommercial.com/customize



ASPEN

HINGED TOP WITH WEATHER SHIELD

STANDARD COLOR OPTIONS



SKU #	DESCRIPTION	LINER	COLOR	GALLONS	WEIGHT (lbs.)	LENGTH (in.)	WIDTH (in.)	HEIGHT (in.)
FGR36HTWU202PL	ASPEN HINGED TOP WEATHER URN 109L/29G	PLASTIC	EGN TRIM WITH BRN PNLS	29	93.00	21.00	21.00	42.63
FGR36HTWU2000PL	ASPEN HINGED TOP WEATHER URN 109L/29G	PLASTIC	GREY TRIM WITH GREY PNLS	29	93.00	21.00	21.00	42.63
FGR36HTWU201PL	ASPEN HINGED TOP WEATHER URN 109L/29G	PLASTIC	BRN TRIM WITH BRN PNLS	29	93.00	21.00	21.00	42.63
FGR36HTWU6000PL	ASPEN HINGED TOP WEATHER URN109L/29G	PLASTIC	BRNZ TRIM WITH GREY PNLS	29	93.00	21.00	21.00	42.63
FGR38HTWU2000PL	ASPEN HINGED TOP WEATHER URN143L/38G	PLASTIC	GREY TRIM WITH GREY PNLS	38	128.00	26.00	26.00	42.63
FGR38HTWU202PL	ASPEN HINGED TOP WEATHER URN143L/38G	PLASTIC	EGN TRIM WITH BRN PNLS	38	128.00	26.00	26.00	42.63
FGR38HTWU201PL	ASPEN HINGED TOP WEATHER URN143L/38G	PLASTIC	BRN TRIM WITH BRN PNLS	38	128.00	26.00	26.00	42.63
FGR48HTWU202PL	ASPEN HINGED TOP WEATHER URN181L/48G	PLASTIC	EGN TRIM WITH BRN PNLS	48	130.00	26.00	26.00	42.63
FGR48HTWU2000PL	ASPEN HINGED TOP WEATHER URN181L/48G	PLASTIC	GREY TRIM WITH GREY PNLS	48	130.00	26.00	26.00	42.63
FGR48HTWU201PL	ASPEN HINGED TOP WEATHER URN181L/48G	PLASTIC	BRN TRIM WITH BRN PNLS	48	130.00	26.00	26.00	42.63
FGR48HTWU6000PL	ASPEN HINGED TOP WEATHER URN 181L/48G	PLASTIC	BRNZ TRIM WITH GREY PNLS	48	130.00	26.00	26.00	42.63

BUILD YOUR OWN ► RUBBERMAIDCOMMERCIAL.COM/CUSTOMIZE



SiteFurnishings.Indoff.com
(844)433-9610



151289 | 123456

©2016 Rubbermaid Commercial Products LLC
8900 Northpointe Executive Park Drive, Huntersville, NC 28078



ASPEN

HINGED TOP

The Aspen decorative refuse container's stone panels naturally blend this receptacle into any outdoor environment.

FEATURES AND BENEFITS:

FEATURES

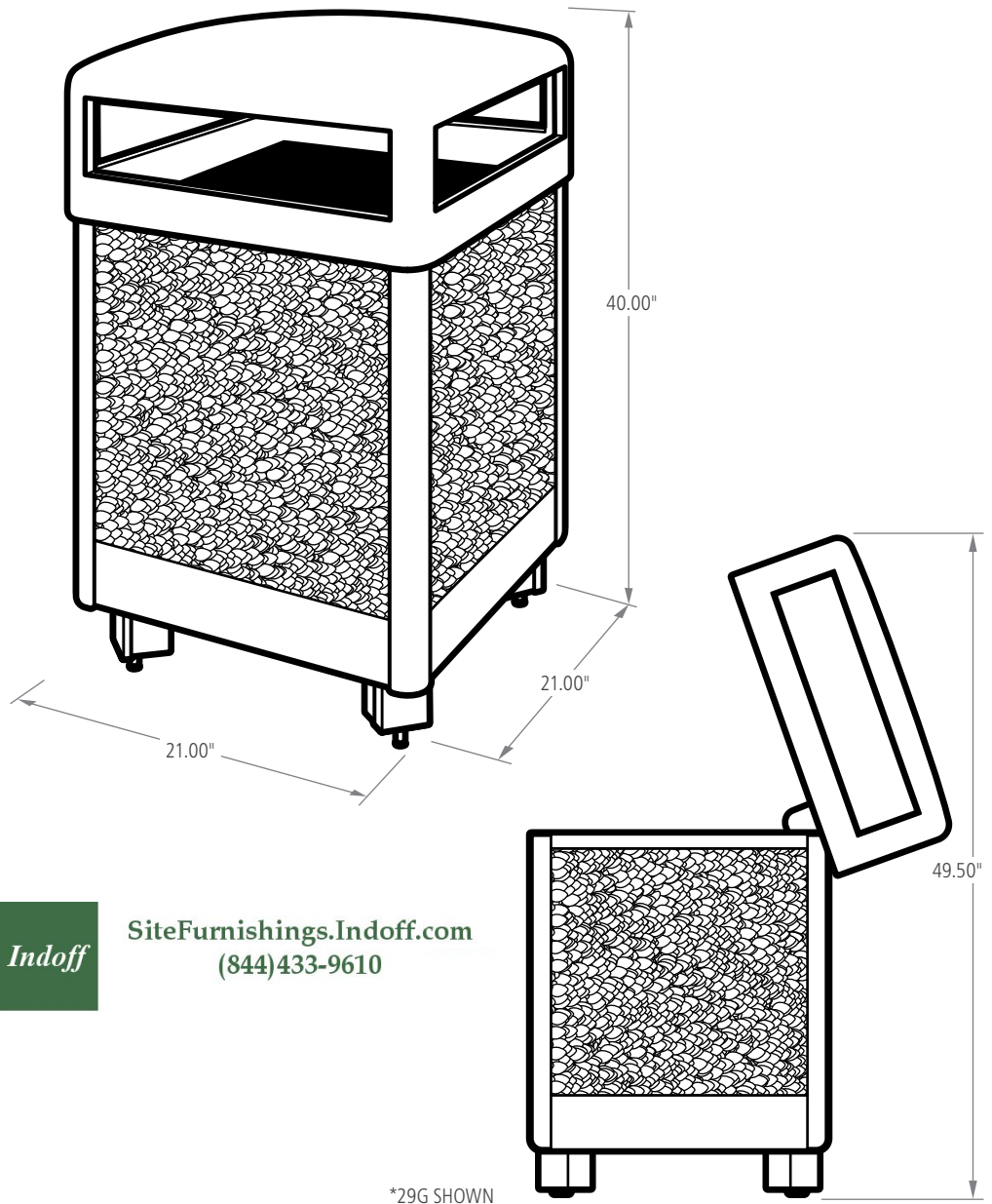
- ▶ Hinged lid enables easy waste removal
- ▶ Heavy-gauge, fire-safe galvanized steel
- ▶ Leak-proof rigid plastic liner included to help contain liquids and keep the surrounding area cleaner
- ▶ Durable powder coat finish withstands severe weather and resists fading even when exposed to harsh UV rays
- ▶ Stone panels have a Class A fire rating
- ▶ Adjustable leg levelers create stability on uneven surfaces
- ▶ Shipped fully assembled

ACCESSORIES

- ▶ Anchoring kits
- ▶ Factory-installed lid locks



ADA COMPLIANT



SiteFurnishings.Indoff.com
(844)433-9610

GALLONS	LENGTH (in.)	WIDTH (in.)	HEIGHT (in.)	OPEN HEIGHT (in.)
29G* (SHOWN)	21.00	21.00	40.00	49.50
38G, 48G	26.00	26.00	40.00	49.50

build your own ▶ rubbermaidcommercial.com/customize



ASPEN

HINGED TOP

STANDARD COLOR OPTIONS



SKU #	DESCRIPTION	LINER	COLOR	GALLONS	WEIGHT (lbs.)	LENGTH (in.)	WIDTH (in.)	HEIGHT (in.)
FGR36HT2000PL	ASPEN HINGED TOP 109L/29G	PLASTIC	GREY TRIM WITH GREY PNLS	29	90.00	21.00	21.00	40.00
FGR36HT201PL	ASPEN HINGED TOP 109L/29G	PLASTIC	BRN TRIM WITH BRN PNLS	29	90.00	21.00	21.00	40.00
FGR36HT202PL	ASPEN HINGED TOP 109L/29G	PLASTIC	EGN TRIM WITH BRN PNLS	29	90.00	21.00	21.00	40.00
FGR36HT6000PL	ASPEN HINGED TOP 109L/29G	PLASTIC	BRNZ TRIM WITH GREY PNLS	29	90.00	21.00	21.00	40.00
FGR38HT2000PL	ASPEN HINGED TOP 143L/38G	PLASTIC	GREY TRIM WITH GREY PNLS	38	125.00	26.00	26.00	40.00
FGR38HT201PL	ASPEN HINGED TOP 143L/38G	PLASTIC	BRN TRIM WITH BRN PNLS	38	125.00	26.00	26.00	40.00
FGR38HT202PL	ASPEN HINGED TOP 143L/38G	PLASTIC	EGN TRIM WITH BRN PNLS	38	125.00	26.00	26.00	40.00
FGR38HT6000PL	ASPEN HINGED TOP 143L/38G	PLASTIC	BRNZ TRIM WITH GREY PNLS	38	125.00	26.00	26.00	40.00
FGR48HT2000PL	ASPEN HINGED TOP 181L/48G	PLASTIC	GREY TRIM WITH GREY PNLS	48	130.00	26.00	26.00	40.00
FGR48HT201PL	ASPEN HINGED TOP 181L/48G	PLASTIC	BRN TRIM WITH BRN PNLS	48	130.00	26.00	26.00	40.00
FGR48HT202PL	ASPEN HINGED TOP 181L/48G	PLASTIC	EGN TRIM WITH BRN PNLS	48	130.00	26.00	26.00	40.00
FGR48HT6000PL	ASPEN HINGED TOP 181L/48G	PLASTIC	BRNZ TRIM WITH GREY PNLS	48	130.00	26.00	26.00	40.00

BUILD YOUR OWN ► RUBBERMAIDCOMMERCIAL.COM/CUSTOMIZE



SiteFurnishings.Indoff.com
(844)433-9610

151289 | 123456

©2016 Rubbermaid Commercial Products LLC
8900 Northpointe Executive Park Drive, Huntersville, NC 28078





ASPEN

SAND URN WITH WEATHER SHIELD

The Aspen decorative refuse container's stone panels naturally blend this receptacle into any outdoor environment.

FEATURES AND BENEFITS:

FEATURES

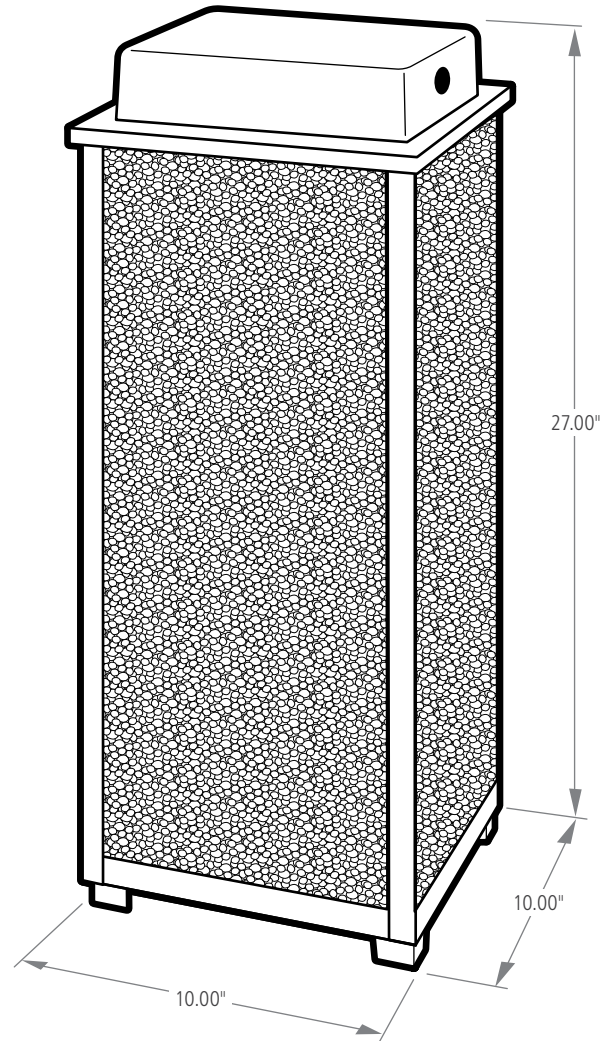
- ▶ Sand pan can be removed from the Sand Urn style for easy cleaning and waste disposal
- ▶ Heavy-gauge, fire-safe galvanized steel
- ▶ Leak-proof rigid plastic liner included to help contain liquids and keep the surrounding area cleaner
- ▶ Durable powder coat finish withstands severe weather and resists fading even when exposed to harsh UV rays
- ▶ Stone panels have a Class A fire rating
- ▶ Adjustable leg levelers create stability on uneven surfaces
- ▶ Shipped fully assembled

ACCESSORIES

- ▶ Anchoring kits
- ▶ Factory-installed lid locks



ADA COMPLIANT



SiteFurnishings.Indoff.com
(844)433-9610

GALLONS	LENGTH (in.)	WIDTH (in.)	HEIGHT (in.)
N/A	10.00	10.00	27.00

build your own ▶ rubbermaidcommercial.com/customize



ASPEN

SAND URN WITH WEATHER SHIELD

STANDARD COLOR OPTIONS



GREY
STENNI



BROWN
GLOSS



GREEN
GLOSS



BRONZE
MATTE

SKU #	DESCRIPTION	LINER	COLOR	GALLONS	WEIGHT (lbs.)	LENGTH (in.)	WIDTH (in.)	HEIGHT (in.)
FGR40WU2000	ASPEN SAND URN WITH WEATHER SHIELD	NONE	BRN TRIM WITH BRN PNLS	N/A	28	10.00	10.00	27.00
FGR40WU201	ASPEN SAND URN WITH WEATHER SHIELD	NONE	GREY TRIM WITH GREY PNLS	N/A	28	10.00	10.00	27.00
FGR40WU202	ASPEN SAND URN WITH WEATHER SHIELD	NONE	EGN TRIM WITH BRN PNLS	N/A	28	10.00	10.00	27.00
FGR40WU6000	ASPEN SAND URN WITH WEATHER SHIELD	NONE	BRNZ TRIM WITH GREY PNLS	N/A	28	10.00	10.00	27.00

BUILD YOUR OWN ▶ RUBBERMAIDCOMMERCIAL.COM/CUSTOMIZE



SiteFurnishings.Indoff.com
(844)433-9610

151289 | 123456

©2016 Rubbermaid Commercial Products LLC
8900 Northpointe Executive Park Drive, Huntersville, NC 28078





ASPEN

SAND URN

The Aspen decorative refuse container's stone panels naturally blend this receptacle into any outdoor environment.

FEATURES AND BENEFITS:

FEATURES

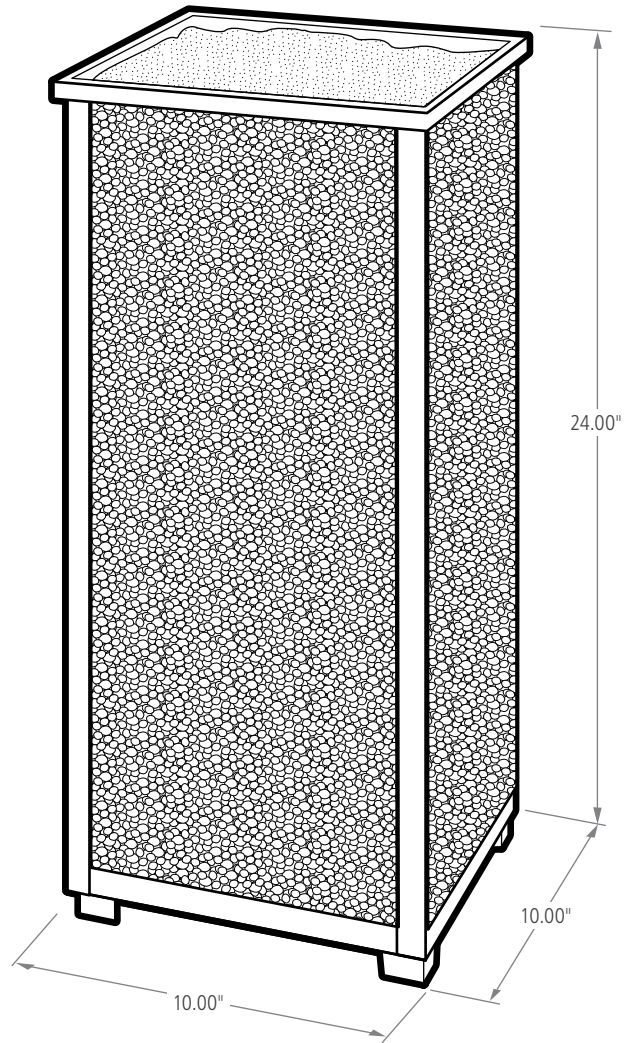
- ▶ Sand pan can be removed from the Sand Urn style for easy cleaning and waste disposal
- ▶ Heavy-gauge, fire-safe galvanized steel
- ▶ Leak-proof rigid plastic liner included to help contain liquids and keep the surrounding area cleaner
- ▶ Durable powder coat finish withstands severe weather and resists fading even when exposed to harsh UV rays
- ▶ Stone panels have a Class A fire rating
- ▶ Adjustable leg levelers create stability on uneven surfaces
- ▶ Shipped fully assembled

ACCESSORIES

- ▶ Anchoring kits
- ▶ Factory-installed lid locks



ADA COMPLIANT



SiteFurnishings.Indoff.com
(844)433-9610

GALLONS	LENGTH (in.)	WIDTH (in.)	HEIGHT (in.)
N/A	10.00	10.00	24.00

build your own ▶ rubbermaidcommercial.com/customize



ASPEN

SAND URN

STANDARD COLOR OPTIONS



GREY
STENNI



BROWN
GLOSS



GREEN
GLOSS



BRONZE
MATTE

SKU #	DESCRIPTION	LINER	COLOR	GALLONS	WEIGHT (lbs.)	LENGTH (in.)	WIDTH (in.)	HEIGHT (in.)
FGR40201	ASPEN SAND URN	NONE	BRN TRIM WITH BRN PNLS	N/A	28	10.00	10.00	24.00
FGR402000	ASPEN SAND URN	NONE	GREY TRIM WITH GREY PNLS	N/A	28	10.00	10.00	24.00
FGR40202	ASPEN SAND URN	NONE	EGN TRIM WITH BRN PNLS	N/A	28	10.00	10.00	24.00
FGR406000	ASPEN SAND URN	NONE	BRNZ TRIM WITH GREY PNLS	N/A	28	10.00	10.00	24.00

BUILD YOUR OWN [▶RUBBERMAIDCOMMERCIAL.COM/CUSTOMIZE](https://www.rubbermaidcommercial.com/customize)



SiteFurnishings.Indoff.com
(844)433-9610

151289 | 123456

©2016 Rubbermaid Commercial Products LLC
8900 Northpointe Executive Park Drive, Huntersville, NC 28078





ASPEN

SIDE DOOR

The Aspen decorative refuse container's stone panels naturally blend this receptacle into any outdoor environment.

FEATURES AND BENEFITS:

FEATURES

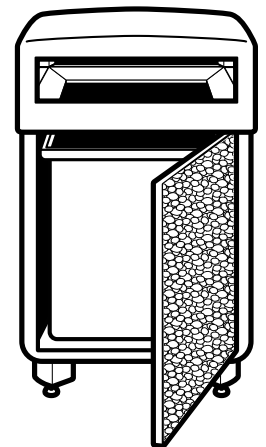
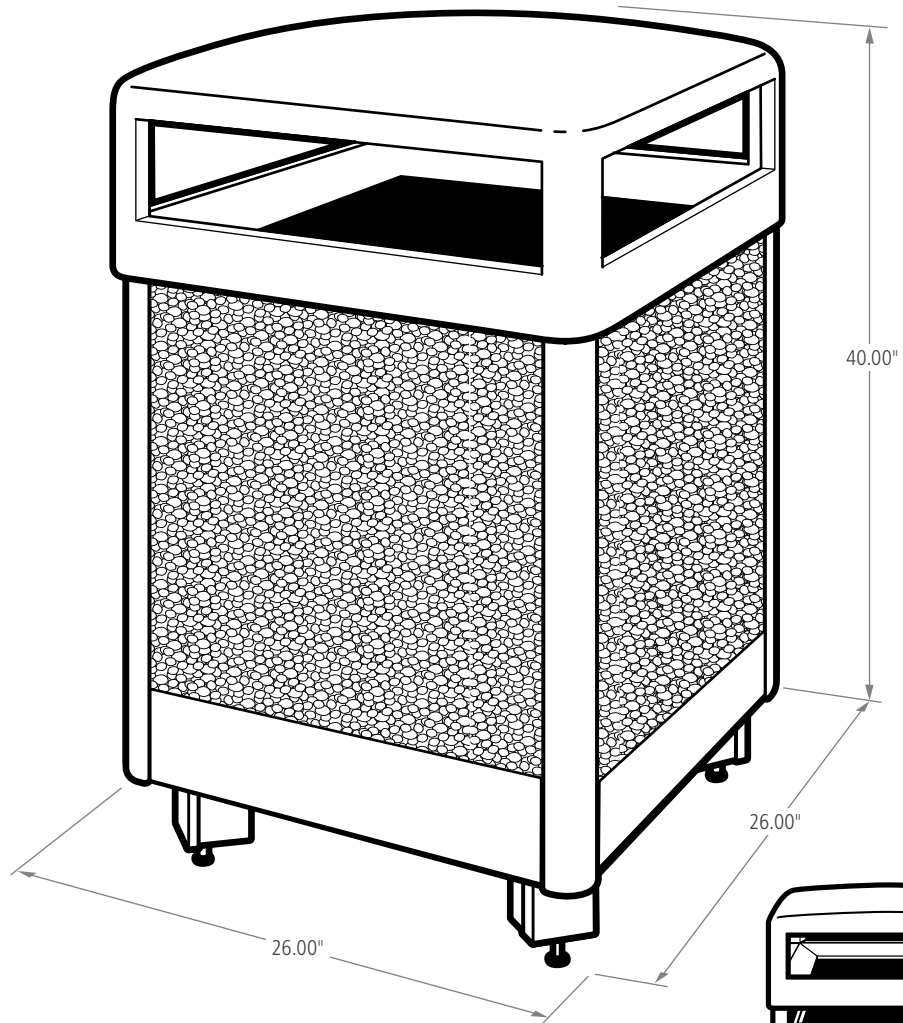
- ▶ Side door access enables easy waste removal
- ▶ Heavy-gauge, fire-safe galvanized steel
- ▶ Leak-proof rigid plastic liner included to help contain liquids and keep the surrounding area cleaner
- ▶ Durable powder coat finish withstands severe weather and resists fading even when exposed to harsh UV rays
- ▶ Stone panels have a Class A fire rating
- ▶ Adjustable leg levelers create stability on uneven surfaces
- ▶ Shipped fully assembled

ACCESSORIES

- ▶ Anchoring kits
- ▶ Factory-installed lid locks



ADA COMPLIANT



SiteFurnishings.Indoff.com
 (844)433-9610

GALLONS	LENGTH (in.)	WIDTH (in.)	HEIGHT (in.)	SIDE DOOR OPEN (in.)
38G	26.00	26.00	40.00	45.10

build your own ▶ rubbermaidcommercial.com/customize



ASPEN

SIDE DOOR

▶ STANDARD COLOR OPTIONS



BROWN
GLOSS

SKU #	DESCRIPTION	LINER	COLOR	GALLONS	WEIGHT (lbs.)	LENGTH (in.)	WIDTH (in.)	HEIGHT (in.)
FGR38SD201PL	ASPEN SIDE DOOR WITH CAM LOCK 143L/38G	PLASTIC	BRN TRIM WITH BRN PNLS	38	133.00	26.00	26.00	40.00

BUILD YOUR OWN ▶ RUBBERMAIDCOMMERCIAL.COM/CUSTOMIZE



SiteFurnishings.Indoff.com
(844)433-9610

151289 | 123456

©2016 Rubbermaid Commercial Products LLC
8900 Northpointe Executive Park Drive, Huntersville, NC 28078

