

AL1994T — Allure Thermory® 4' Flat Bench

4' flat bench with Thermory and aluminum planks and cast aluminum legs

Material

The 4' flat bench is composed of 1" x 2" Thermory seat planks, aluminum accent planks, cast aluminum legs and steel under supports. The bench is 48.50" long and will support 200 lbs. per linear foot.

The bench feet have pre-drilled .40" diameter holes for surface mounting to prevent movement.

Surface mounting is required; mounting hardware is not included.

Low-maintenance Thermory is made from thermally-modified North American White Ash—a sustainably-harvested and renewable temperate hardwood. It is an environmentally-friendly hardwood and a great alternative to commonly used tropical rainforest hardwoods because of its dimensional stability and Class 1 durability (25+ years). Thermory has a lower carbon footprint than tropical hardwoods.

Finish

Fade-resistant, powder coated steel and aluminum components feature a state-of-the-art primer proven to prevent rusting. Treated components exceed the industry standard by 34% in testing by independent sources.

Thermory is a lustrous chocolate brown color when new and will naturally age to uniform silver/gray over time. The color-changing process begins immediately and varies with the amount of UV-exposure.

Color

See website or sales representative for color choices.

Assembly

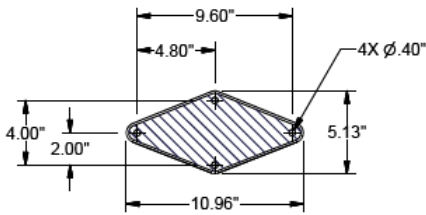
The bench ships fully assembled and ready for use. Assembly includes stainless steel hardware.

Maintenance

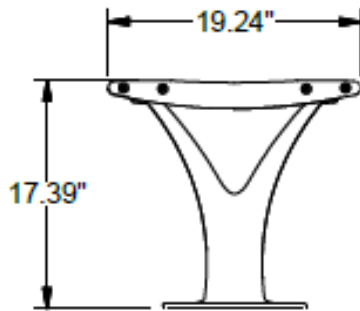
Clean with mild soap and water. Let dry thoroughly. To maintain original color, regularly apply standard deck oil, such as Cutek® Extreme Wood Protection Oil.

Warranty

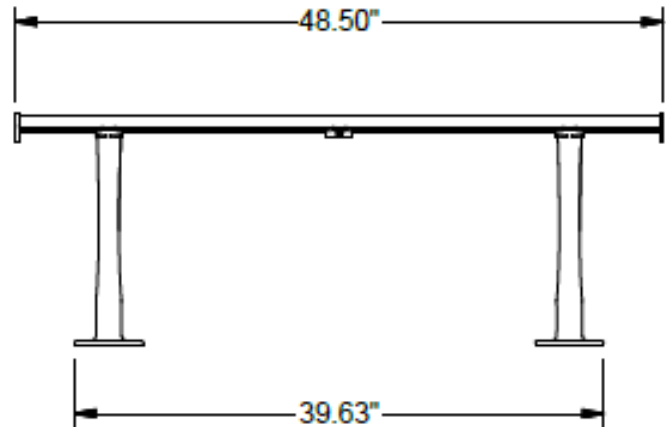
10-year limited structural warranty from the date of purchase.



Foot Mount



SIDE VIEW



FRONT VIEW

SHIPPING INFORMATION

| Unit Weight | Unit Shipping Wt. UPS | Unit Shipping Wt. Truck (1+ Units) | Unit Ship Size w/Pallet | Max Units Per Pallet | Pallet Size/Wt. (32" x 48") | Total No. Pkgs. | Shipping Class |
|-------------|-----------------------|------------------------------------|-------------------------|----------------------|-----------------------------|-----------------|----------------|
| 47 lbs. | N/A | 53 lbs./unit | 22 cu. ft. | 1 | 50 lbs. | 1 | 150 |