

## AL1980WT — Allure Thermory® 6' Contour Bench, Wall Mount

6' wall-mount contour bench with Thermory and aluminum planks, surface mount bracket

### Material

The 6' contour bench is composed of 1" x 2" Thermory seat and back planks, aluminum accent planks and steel under supports. The bench is 72.75" long and will support 200 lbs. per linear foot.

Includes surface mount brackets designed to mount the bench to the top of a wall. Wall must be a minimum of 8" wide.

**Surface mounting is required;** mounting hardware is not included.

Low-maintenance Thermory is made from thermally-modified North American White Ash—a sustainably-harvested and renewable temperate hardwood. It is an environmentally-friendly hardwood and a great alternative to commonly used tropical rainforest hardwoods because of its dimensional stability and Class 1 durability (25+ years). Thermory has a lower carbon footprint than tropical hardwoods.

### Finish

Fade-resistant, powder coated steel and aluminum components feature a state-of-the-art primer proven to prevent rusting. Treated components exceed the industry standard by 34% in testing by independent sources.

Thermory is a lustrous chocolate brown color when new and will naturally age to uniform silver/gray over time. The color-changing process begins immediately and varies with the amount of UV-exposure.

### Color

See website or sales representative for color choices.

### Assembly

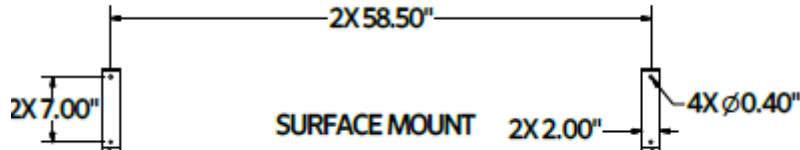
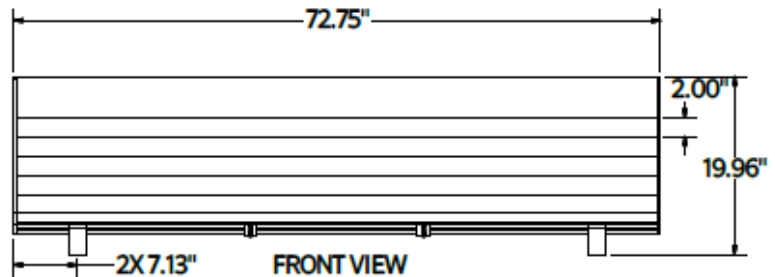
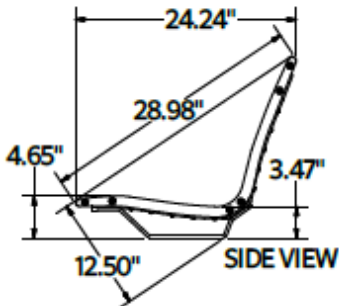
The bench ships fully assembled and ready for use. Assembly includes stainless steel hardware.

### Maintenance

Clean with mild soap and water. Let dry thoroughly. To maintain original color, regularly apply standard deck oil, such as Cutek® Extreme Wood Protection Oil.

### Warranty

10-year limited structural warranty from the date of purchase. See



## SHIPPING INFORMATION

Unit Weight	Unit Shipping Wt. UPS	Unit Shipping Wt. Truck (1+ Units)	Unit Ship Size w/Pallet	Max Units Per Pallet	Pallet Size/Wt. (32" X 74")	Total No. Pkgs.	Shipping Class
91 lbs.	N/A	105 lbs./unit	34.26 cu. ft.	2	100 lbs.	1	125