

**AE2645RCT-STX — Airi Stix 45-Gallon Dual Trash/Recycler with Side Door and Built-In Top**

45-gallon perforated steel and aluminum dual trash/recycler with tree line pattern, side door, built-in top, plastic liner and rubber feet



**Material**

The dual trash/recycler is 46.72" tall and is composed of heavy-duty 12-gauge steel panels with an extruded aluminum frame. Steel side panels feature a unique architectural perforated tree line pattern inspired by trees. Inner bin separation has front-to-back orientation. The side door features a magnetic door latch, a continuous geared hinge and a tamper-resistant cam lock and key system.

The built-in canopy style top is 16-gauge steel with 9.63" tall x 22.01" wide front and back openings. The recycling side of the top features recycle logos laser cut into the steel.

Optional decals are available: "Bottles/Cans" with recycling logo, "Mixed Recycling" with recycling logo, "Paper" with recycling logo or "Trash" decal—custom decals also available. Specify black or white lettering. Decal placement will be on the steel divider bar that is positioned across the opening. Decals will be factory installed and must be specified at the time of order.

The receptacle is designed to be portable for flexibility in placement or surface mounted using pre-drilled holes inside base to prevent movement. The rubber feet are adjustable to assist in leveling the receptacle. Includes two reusable plastic liners made of high-density polyethylene. Mounting hardware is not included.

**Finish**

Fade-resistant, powder coated steel and aluminum components feature a state-of-the-art primer proven to prevent rusting. Treated components exceed the industry standard by 34% in testing by independent sources.

**Color**

See website or sales representative for color choices.

**Assembly**

The receptacle ships fully assembled and ready for use.

**Maintenance**

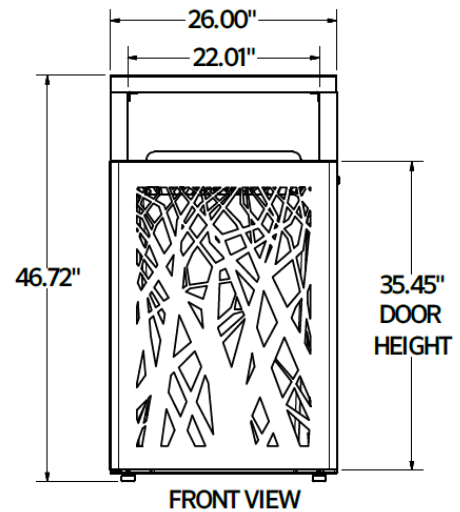
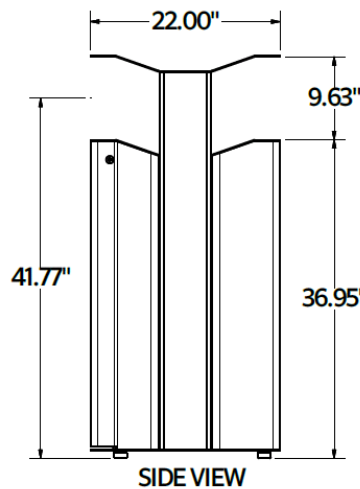
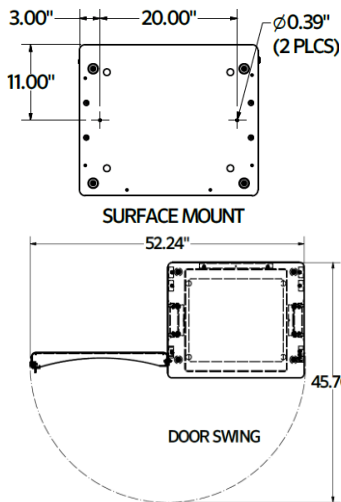
The product is virtually maintenance-free and requires only periodic cleaning with a sponge and a solution of mild detergent and water to remove surface dirt. Do not clean with solvent or petroleum base products.

**Warranty**

20-year limited structural warranty with 7-year finish warranty against fading from the date of purchase. See full details on multi-year warranties for components at

**Replacement Parts**

- Trash Decal White DEC2000
- Trash Decal Black DEC2002
- Paper Decal w/Logo White DEC2004
- Paper Decal w/Logo Black DEC2006
- Bottles/Cans w/Logo White DEC2008
- Bottles/Cans w/Logo Black DEC2010
- Mixed Recycling w/Logo Wht DEC5000
- Mixed Recycling w/Logo Blck DEC5002



**SHIPPING INFORMATION**

Unit Weight	Unit Shipping Wt. UPS	Unit Shipping Wt. Truck (1+ Units)	Unit Ship Size w/Pallet	Max Units Per Pallet	Pallet Size/Wt. (32" x 48")	Total No. Pkgs.	Shipping Class
184 lbs.	N/A	191 lbs./unit	46.44 cu. ft.	1	50 lbs.	1	150