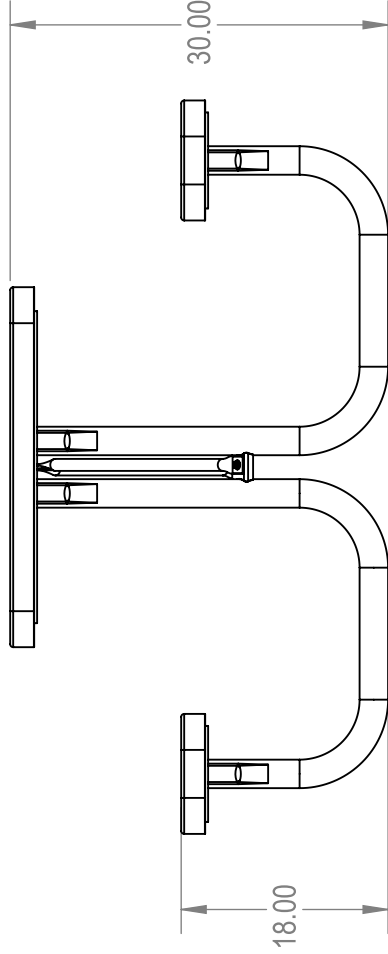
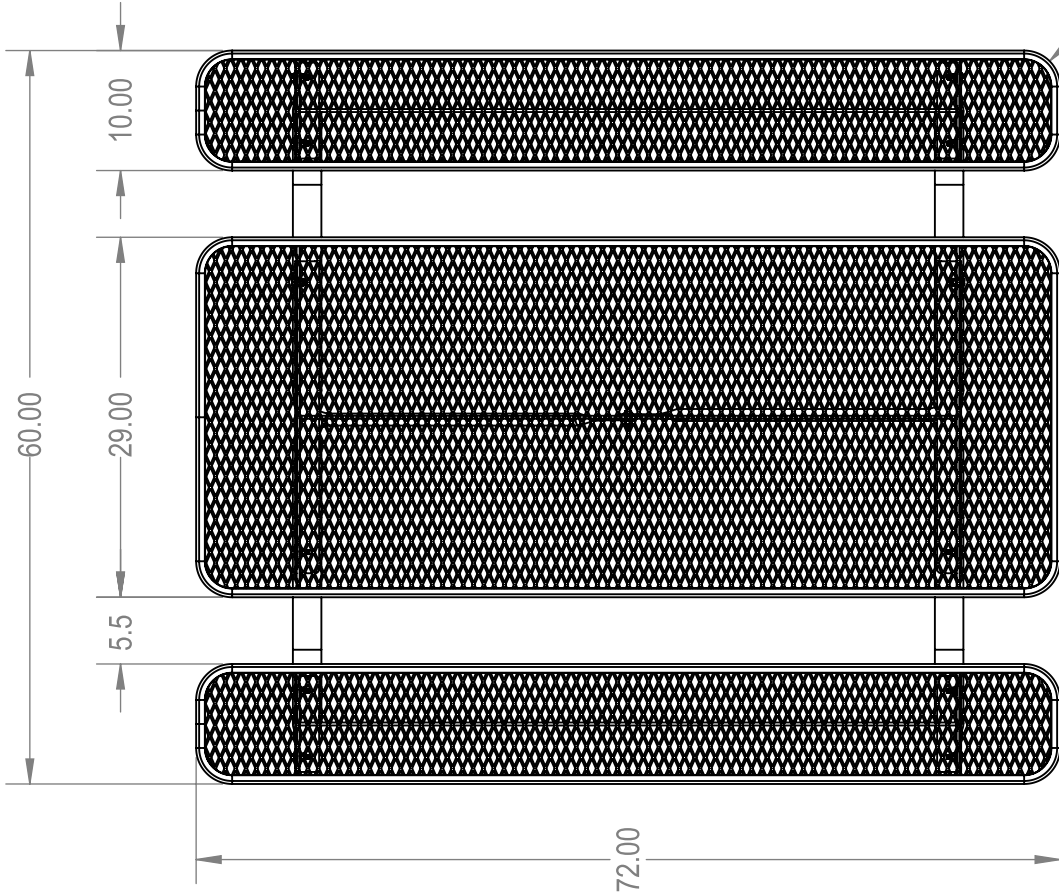


Model Numbers:

TRT06-A-01-000 - Advantage Coating

TRT06-C-01-000 - Industry Standard Coating



Mfg. by Advantage Panels & Fence, Inc.

MYTCOAT

Commercial Outdoor Furniture

www.mytcoat.com

PROPRIETARY AND CONFIDENTIAL
 THE INFORMATION CONTAINED IN THIS DRAWING IS THE SOLE PROPERTY OF Advantage Panels & Fence, Inc. PO Box 1790 Whitney, TX. ANY REPRODUCTION IN PART OR AS A WHOLE WITHOUT THE WRITTEN PERMISSION OF Advantage Panels & Fence, Inc. PO Box 1790 Whitney, TX. IS PROHIBITED.

NAME	DATE
GM	1/3/2016
DRAWN	
SALES APPR.	
CLIENT APPR.	
MFG APPR.	
Q.A.	

Design By -
CADWorksPro
 Chicago, IL
www.cadworkspro.com

A Advantage Panels & Fence, Inc.

TITLE:

6' Rectangular Portable Table

Expanded Metal